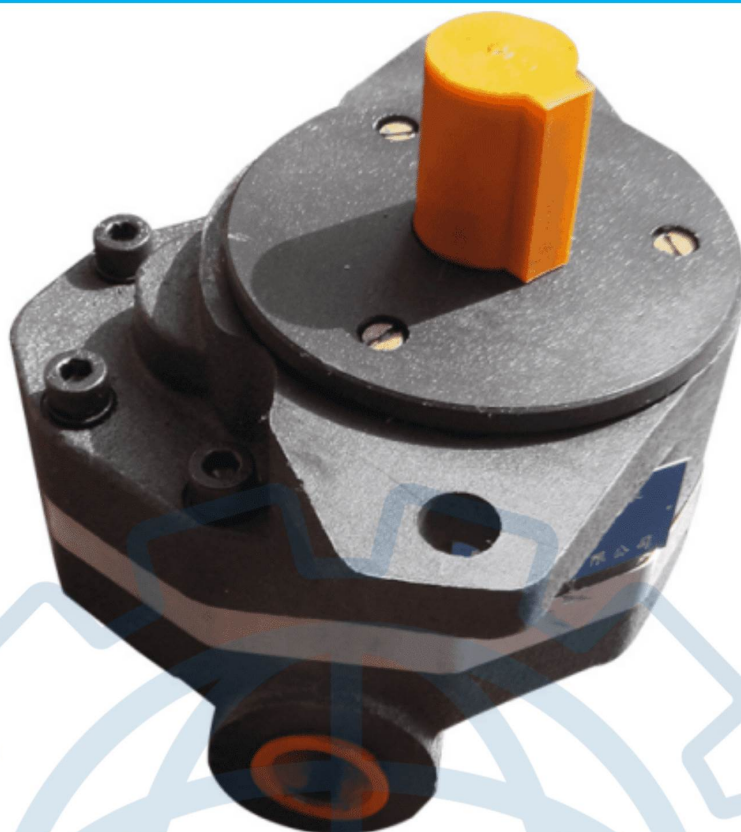




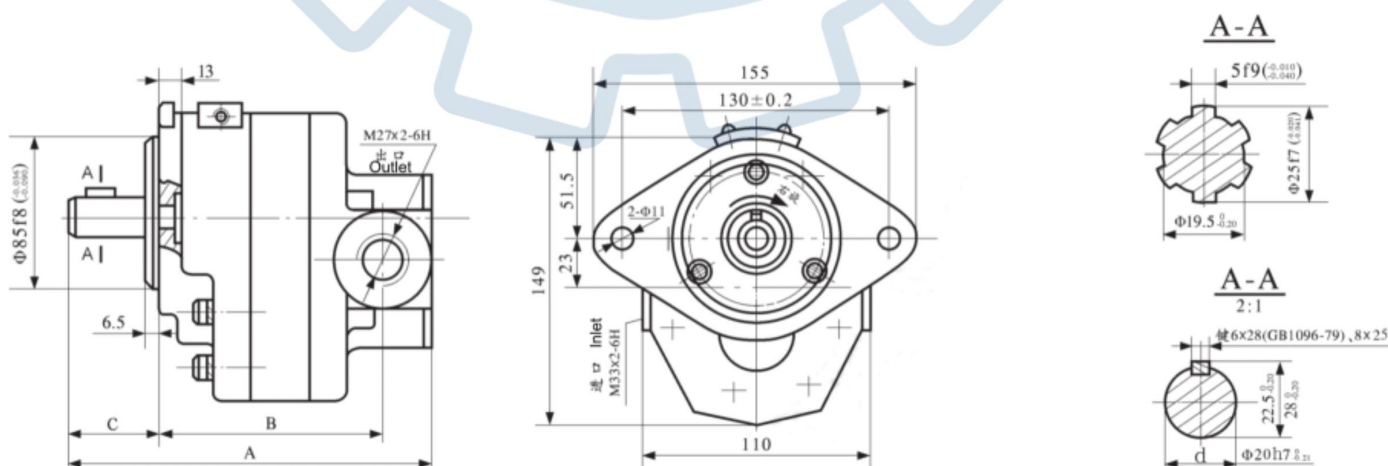
CB-Fa(Fc) High Pressure Gera Pump



Introduction

CB-FA (FC) high-pressure gear pump uses high strength castings, radial seal with the tooth tip sweep chamber, axial seal with floating pressure balanced side, thus achieving high efficiency. sue high pressure gear pump with small size, light weight, good performance, reliable and so on. Widely used in engineering machinery, mining machinery, material handling equipment, construction machinery, petroleum machinery, agricultural machinery and other mechanical devices.

Dimension





Technical Specification

Model	Theoretic al Flowing	Pressure (Mpa)		Speed (r/min)			Volumet ric Efficienc y	Overall Efficienc y	Drivin g Powe r	Size			
	ml/r	Rated	Max	Rated	Max	Min	$\eta_v\%$	$\eta_t\%$	kw	A	B	c	d
CB-FA10	11.27	14	17.5	1800	2400	600	≥ 90	≥ 81	5.2	16 4	94	45	20
CB-FA18	18.32								8.4	16 9	99		
CB-FA25	25.36								11.6	17 4	104		
CB-FA32	32.41								14.8	17 9	109		
CB-FA40	39.45								18.1	18 4	114		
CB-Fc10	10.44	16	20	2000	2500	600	≥ 90	≥ 81	6.4	17 0	99		
CB-Fc16	16.01								9.9	17 4	103		
CB-Fc20	20.19								12.4	17 7	106		
CB-Fc25	25.06								15.36	18 0	109		
CB-Fc31.5	32.02								19.6	18 5	114		
CB-Fc40	40	24.8	19 1	120									
CB-Fc50	50	31	20 3	121.5	52.5	25							