



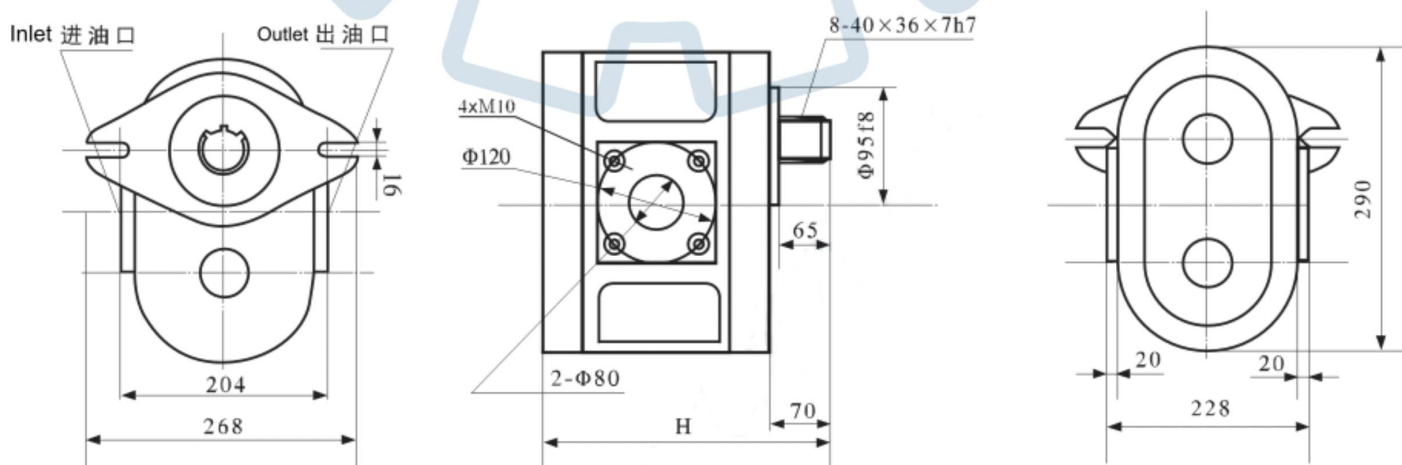
DCB-B600~1000 Low Noise & Large Flow Gear Pump(OVAL)



Introduction

This series of high flow pump has a helical gear, with the advantage of low noise, large flow, small pulse, stable operation. It is widely used in the hydraulic systems of artificial, plywood machinery, forestry machinery, plastic machinery, which is less than 2.5MPa hydraulic systems. It can be also used for high flow oil filling stations, oilfields. After corrosion treatment, it can be used for water pump.

Dimension





Model	DCB-B600	DCB-B700	DCB-B800	DCB-B900	DCB-B1000
H	354	374	394	414	435

Technical Specification

Type	Flow l/min	Rated Pressure MPa	Rated Rotate Speed r/min	Volume Efficiency $\eta_v\%$	Overall Efficiency $\eta_t\%$	Oil-in	Oil-Out	Driving Power Kw
DCB-B600	600	2.5	1450	≥ 90	≥ 80	Z2-1/2"	Z2-1/2"	29
DCB-B700	700							32
DCB-B800	8000							39
DCB-B900	900							42
DCB-B1000	1000							49

