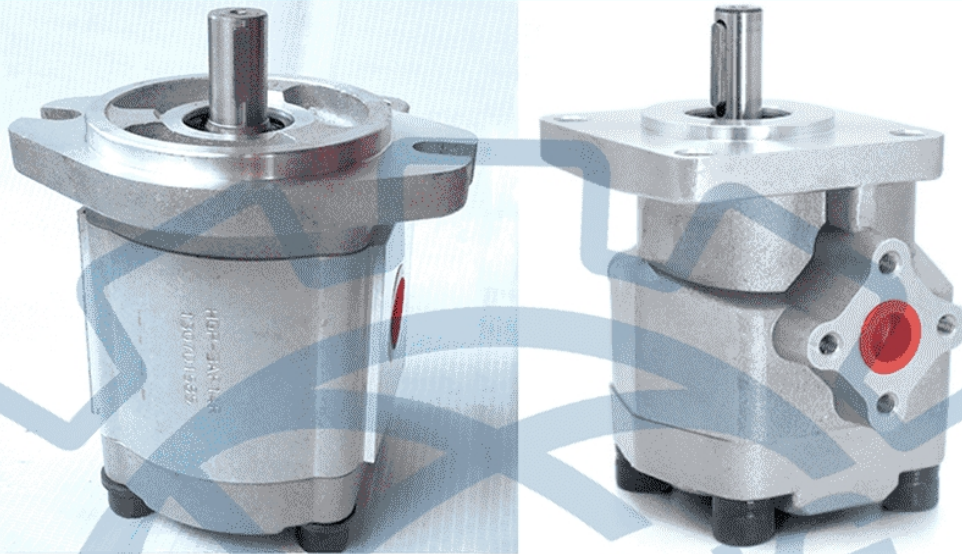




HGP Gear Pump



产品特点 Technical Features

- 1 · 高效率：经精确细致的构造设计 · 此系列齿轮泵保持在高容积与高机械效率; High efficiency: through precise and meticulous structural design, this series of gear pumps maintain high volume and high mechanical efficiency;
- 2 · 使用寿命长：性能优良的高抗磨性轴承于高压、高速的场合运转不致烧毁; Long service life: high wear resistance bearing with excellent performance will not be burned when running at high pressure and high speed ;
- 3 · 重量轻、结构紧密精致; Light weight, compact and delicate structure;
- 4 · 本体采用铝合金 · 高精度造型设计 · 噪音低; The body adopts aluminum alloy, high precision modeling design, low noise;
- 5 · 适用范围广泛 · 用于土木建设机械、产业车辆、搬运机械、农林渔业机械等装置。 It is widely used in civil construction machinery, industrial vehicles, handling machinery, agriculture, forestry and fishery machinery and other devices.

型号代码 Ordering Code

HGP - 1A - F 20 - R X 2B

法兰型式 Flange Type

2B: 两孔安装式 (标准型) SAE 2-Bolt

4B或省略: 四孔安装式 (标准型) 4B: JIS 4-Bolt

心轴形式 Shaft Type : X:平键 Straight Keyed ; Y:花键 spline

转向 Rotation

L:逆时针 Counterclockwise

R:顺时针 Clockwise

排量 displacement cc/rev

安装形式 Mounting

F: 法兰 Flange L: 脚座型 Foot

系列型号 Series: HGP-1A;

HGP-2A;

HGP-3A

定量齿轮泵 Fixed gear pump

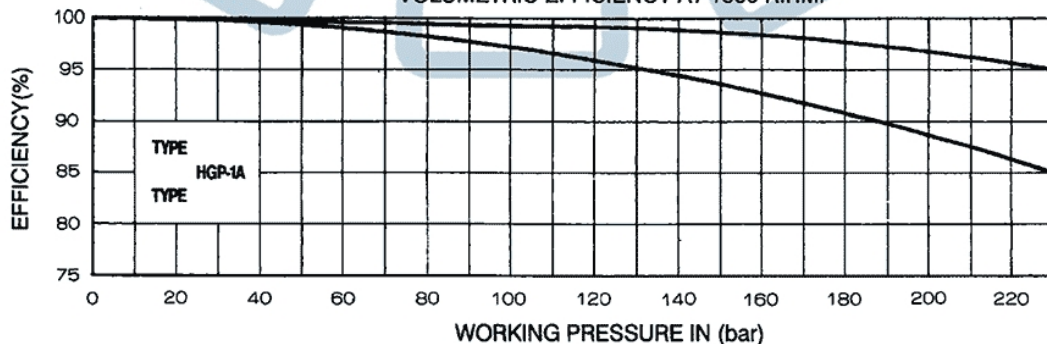


技术参数 Specification

产品型号 Model	排量 Displacement cc/rev	额定压力 rated pressure Mpa	最高瞬间压力 Max Pressure Mpa	转速Speed(r/min)			进出油口尺寸port size		重量Weight kg											
				额定 Rate	最高 Max	最低 Min	进口 Inlet	出口 Outlet												
HGP-1A-F1	1	18	21	1500	4500	1000	3/8"PT	3/8"PT	1.0											
HGP-1A-F2	2					4500				1.05										
HGP-1A-F3	3					600					1.15									
HGP-1A-F4	4											4000								
HGP-1A-F5	5																			
HGP-1A-F6	6	3200	1.18																	
HGP-1A-F8	7.8			16	18	1/2"PT														
HGP-2A-F2	2			180	210		1500	5000	900	Φ14.5 flanged joint	Φ14.5 flanged joint	1.63								
HGP-2A-F3	3	5000											850							
HGP-2A-F4	4	4500				800							1.67							
HGP-2A-F6	6	3500	700																	
HGP-2A-F8	7.5	3000	600																	
HGP-2A-F9	9	2500	550																	
HGP-2A-F11	10.5	2000	500	1.75																
HGP-2A-F12	12	150	175		1800	3000	700	3/4' PT	1/2' PT	1.77										
HGP-3A-F6	6										180	210	1800	3000	600	3/4' PT	1/2' PT	1.8		
HGP-3A-F8	8.4																		400	2.25
HGP-3A-F11	11																			
HGP-3A-F13	12																			
HGP-3A-F14	14.3	1.75																		
HGP-3A-F17	16.5		150	175	1800	3000	400	Pt1	3/4' PT	1.77										
HGP-3A-F19	19.2										1.8									
HGP-3A-F23	23											1.85								
HGP-3A-F25	25												3.05							
HGP-3A-F28	28	3.2																		
HGP-3A-F30	30		3.5																	
				140	175	1800	3000	400	Pt1	3/4' PT	3.6									
												1.8								
													2.85							
		3.2																		
			3.5																	
				3.6																
					3.6															

性能曲线 Performance Curves

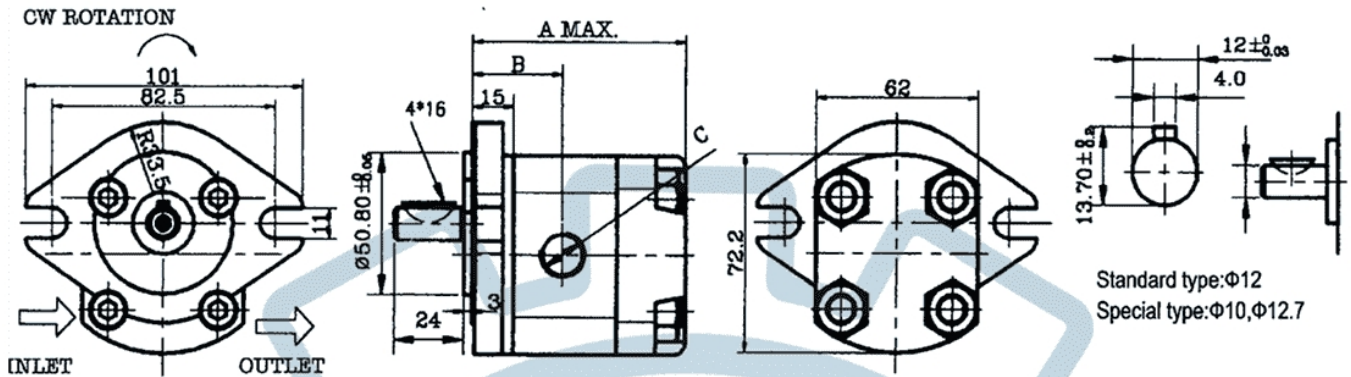
VOLUMETRIC EFFICIENCY AT 1500 R.P.M.



Test conditions: 1. Oil viscosity 45 cSt 2. Oil temperature 40°C 3. Speed 1500 rpm

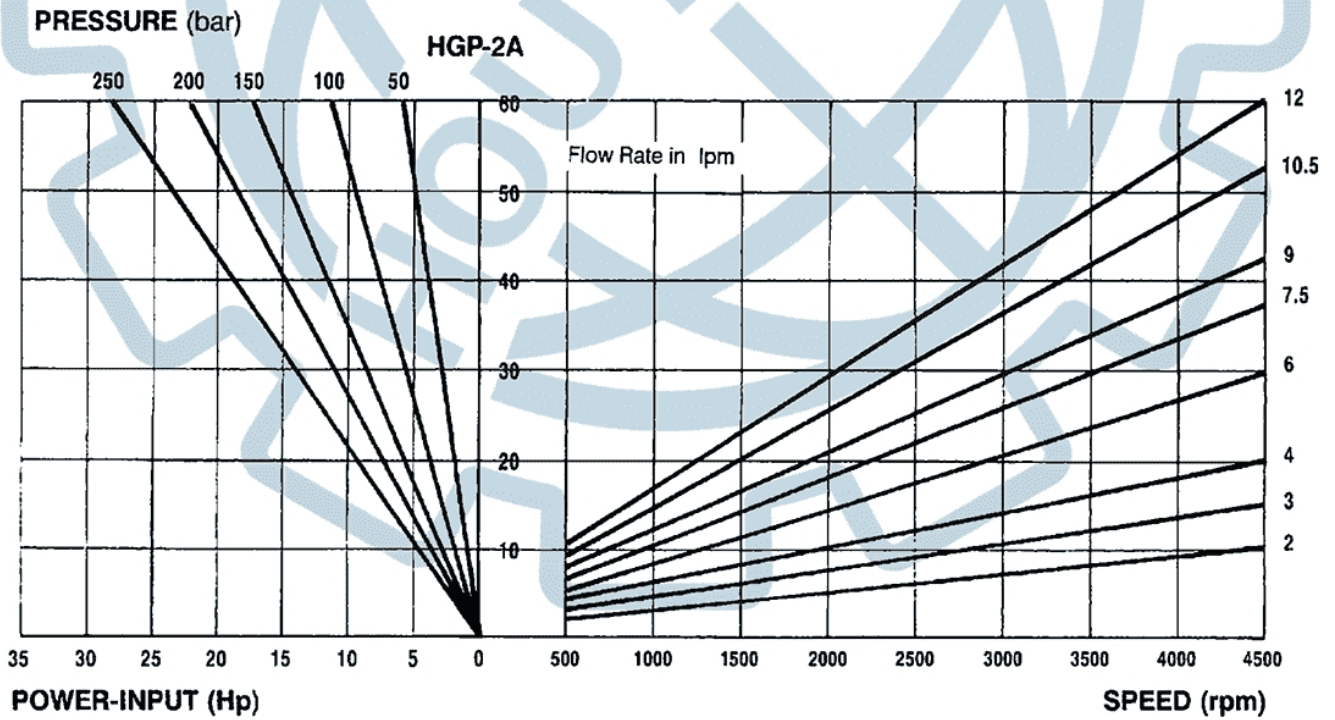


外形安装尺寸 Outline Dimension



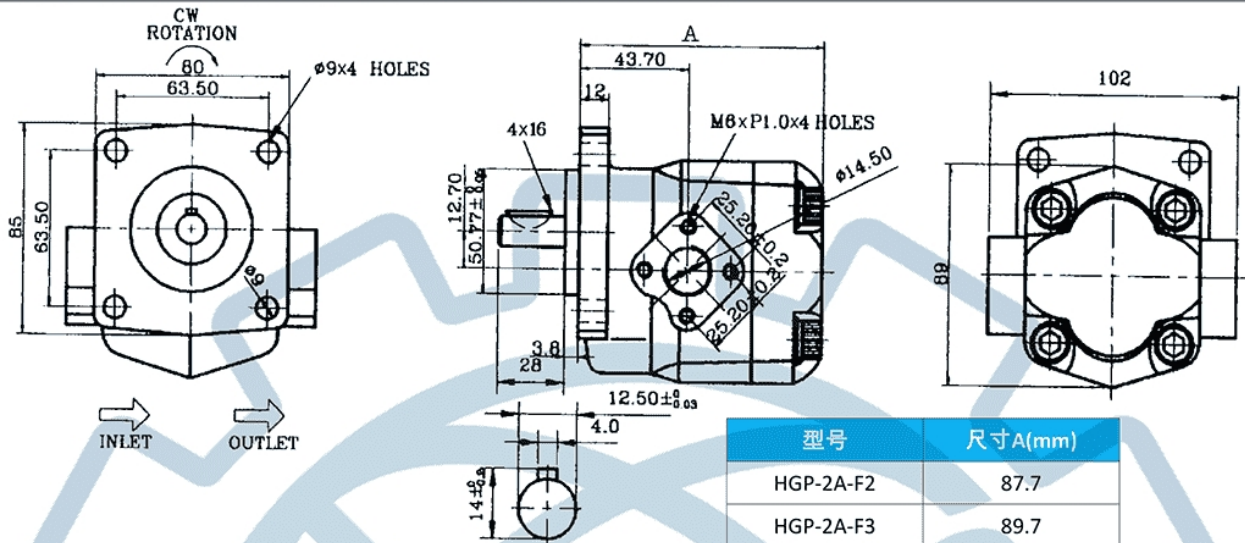
型号	尺寸 A(mm)	尺寸 B(mm)
HGP-1A-F1	77.5	36.5
HGP-1A-F2	80.5	40.25
HGP-1A-F3	86	43
HGP-1A-F4	88	44
HGP-1A-F5	92	46
HGP-1A-F6	96	48
HGP-1A-F8	102	51

性能曲线 Performance Curves



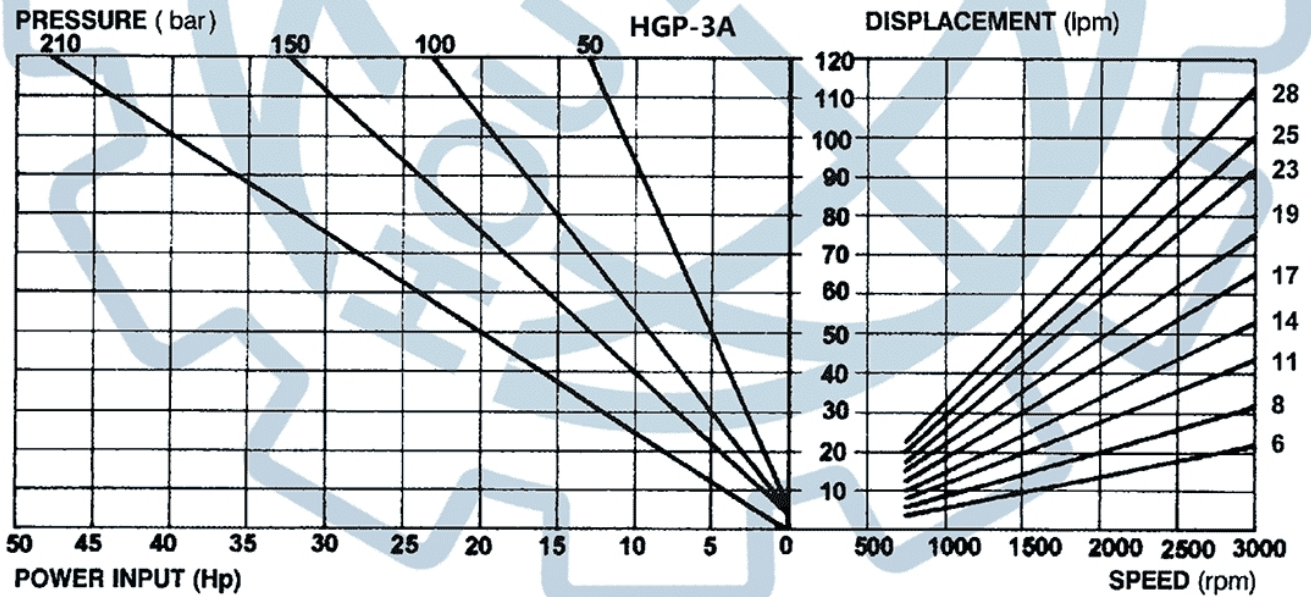


外形安装尺寸 Outline Dimension



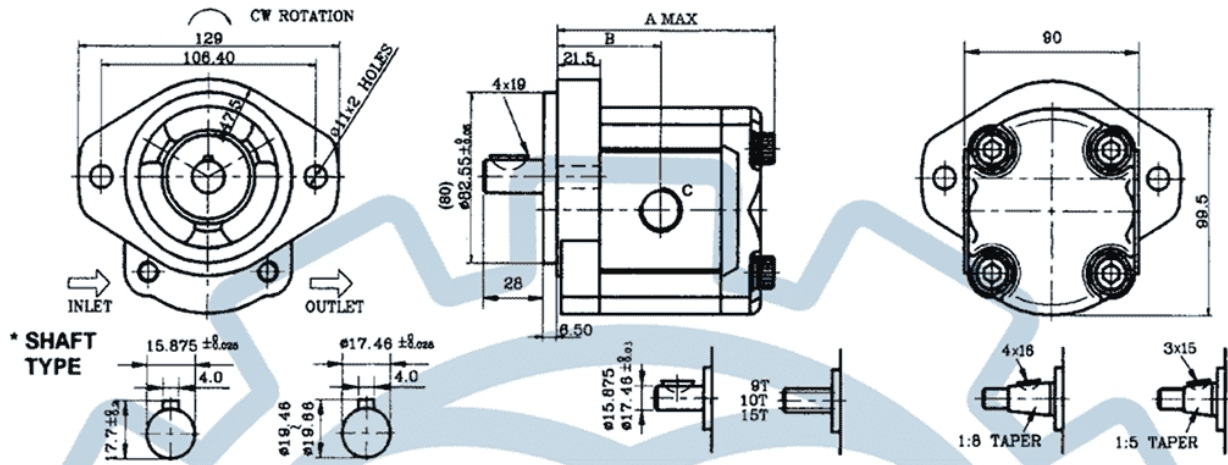
型号	尺寸A(mm)
HGP-2A-F2	87.7
HGP-2A-F3	89.7
HGP-2A-F4	93.7
HGP-2A-F6	96.7
HGP-2A-F8	98.7
HGP-2A-F9	101.7
HGP-2A-F11	104.7
HGP-2A-F12	107.7

性能曲线 Performance Curves





外形安装尺寸 Outline Dimension



型号	尺寸 A(mm)	尺寸 B(mm)
HGP-3A-F6	89	44.5
HGP-3A-F8	90.5	45.25
HGP-3A-F11	93	46.5
HGP-3A-F13	95	47.5
HGP-3A-F14	96	48
HGP-3A-F17	98	49
HGP-3A-F19	100	50
HGP-3A-F23	103.5	51.75
HGP-3A-F25	105	52.5
HGP-3A-F28	107	53.5
HGP-3A-F30	109	54.5