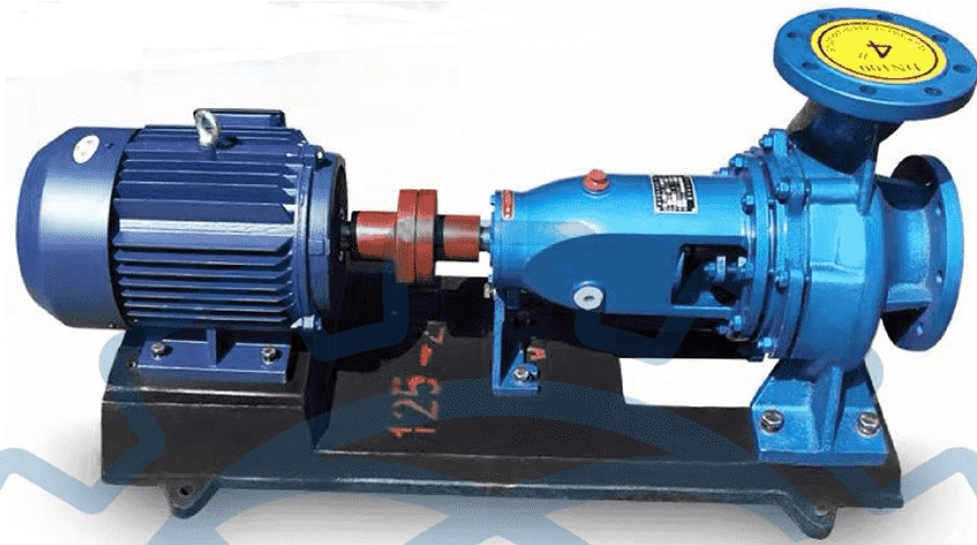




IS/ IR卧式单级离心泵 Single-Stage Centrifugal Pump



描述 Introduction

IS、IR型泵是卧式单级单吸清水离心泵、供吸送清水及物理化浮性质类似水不含固体颗粒的液体。它广泛适用于工农业及城市、排水、消防供水等。

IS、IR型泵系根据国际标准ISO2858所规定的性能和尺寸设计，其技术标准均向国际标准靠拢，达到国际先进水平。它是我国推广的节能泵类产品之一。

IS、IR型泵通用性广，会系列共140种规格，但只用四种轴；同一规格的轴，轴承，轴封，叶轮紧固件等均能互换；全系列泵的悬架也只有四种。

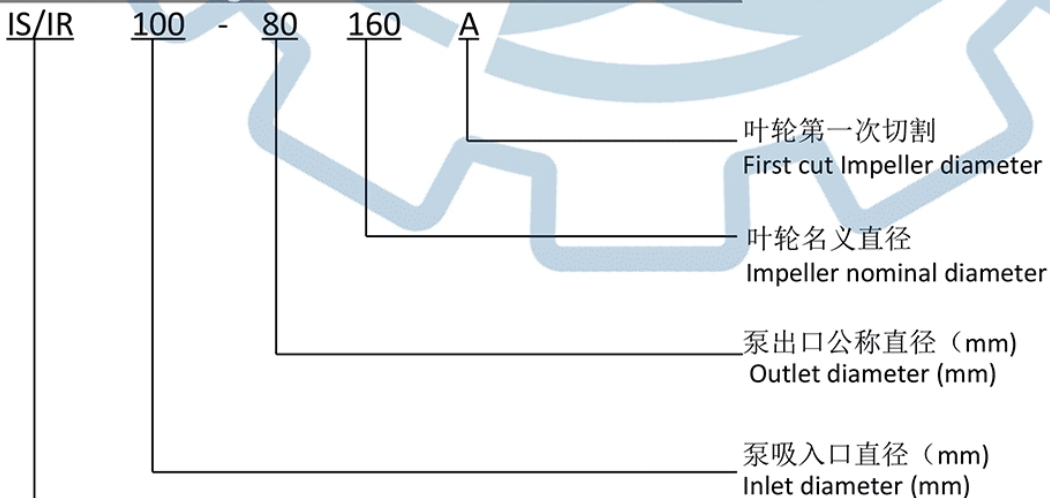
本泵结构向单，性能可靠，体积小，重量轻，抗汽蚀性能好，电耗低，使用维修方便。

IS、IR pump IS a horizontal single stage single suction water slide centrifugal pump, suction and delivery of water and physical floating properties similar to water without solid column liquid. It is widely used in industry, agriculture and urban, drainage, fire water supply and so on.

IS、IR pump system IS designed according to the performance and size of the international standard ISO2858, and its technical standards are in line with the international standard, reaching the international advanced level. It is one of the energy-saving pump products promoted in China.

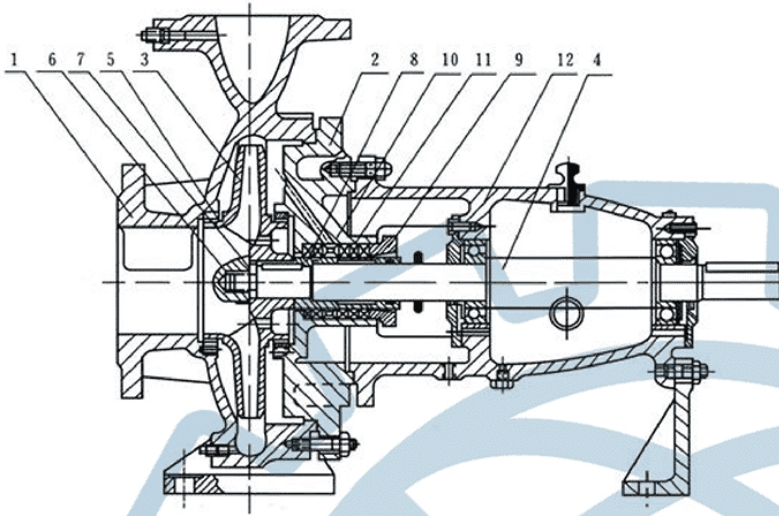
IS, IR pump wide versatility, will series a total of 140 specifications, but only four kinds of shaft; The same specification of shaft, bearing, shaft seal, impeller fasteners can be interchangeable; There are only four kinds of suspension in the whole series of pumps.

产品型号 Ordering Code



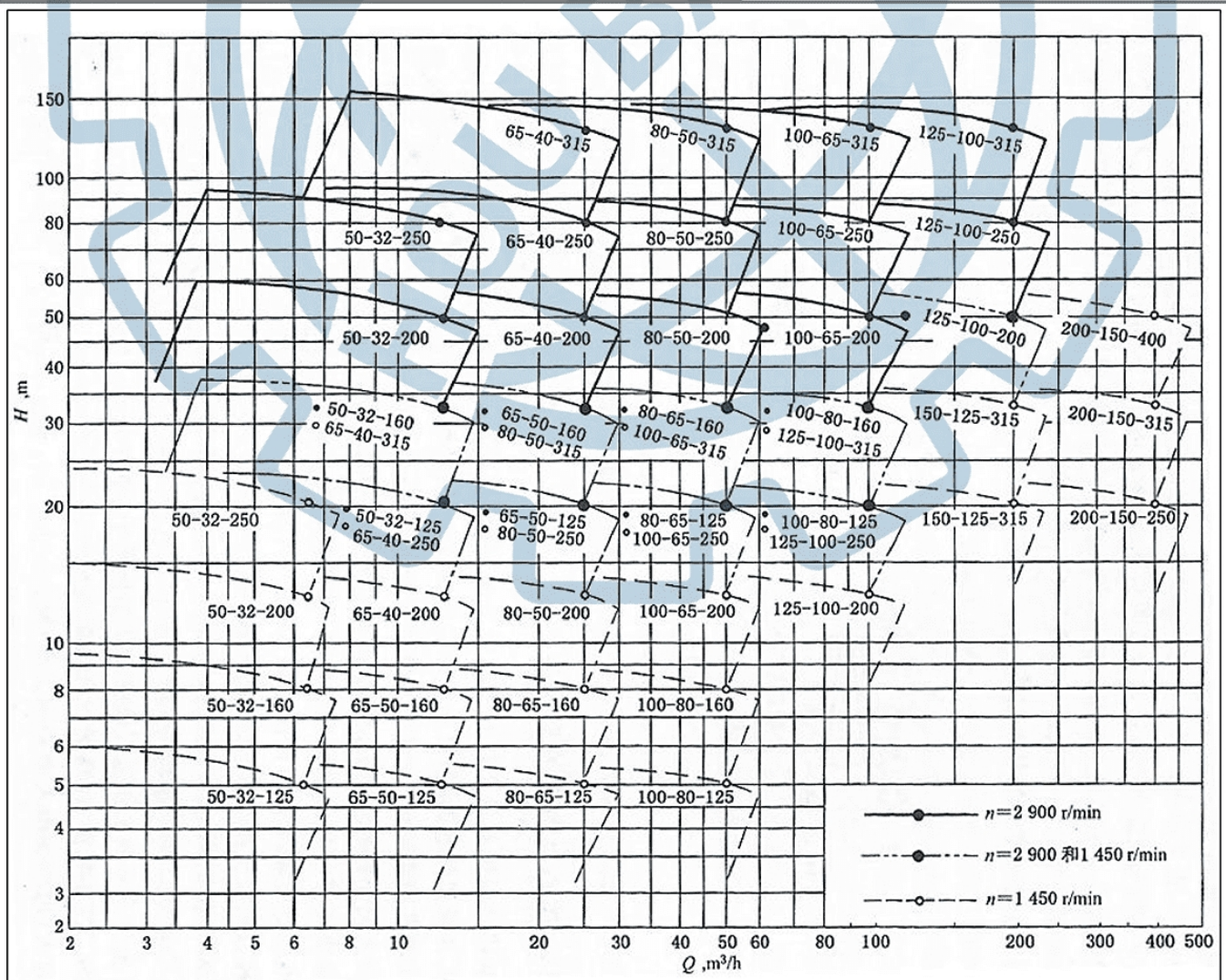
符合国际标准单极单吸清水离心泵
International standard single - pole single - suction water centrifugal pump

结构图 Structure Drawing



- 1-泵体 Pump casing
- 2-叶轮螺母 Impeller nut
- 3-止动垫圈 lock washer
- 4-密封环 wear ring
- 5-叶轮 Impeller
- 6-泵盖 casing cover
- 7-轴套 Shaft sleeve
- 8-填料环 (装机械密封无此环)
packing ring
- 9-填料 (或机械密封) packing or mechanical seal
- 10-填料或机械密封压盖 packing or mechanical seal cover
- 11-悬架轴承部件 bearing components
- 12-轴 shaft

型谱图 Performance Chart





技术参数 Technical Specification

型号 Model	流量 Capacity		扬程 Head (m)	转速 Speed (r/min)	功率 Power(kw)		效率 Efficiency %	汽蚀余量 NPSH(m)	泵口径 Pump Size		重量 Weight
	(m ³ /h)	(L/s)			轴功率 Shaft (pa)	电机功率 Motor			进口 Inlet Dia.	出口 Outlet Dia.	
50-32-125	7.5	2.08	22	2900	0.96	2.2	47	2.0	50	32	40
	12.5	3.47	20		1.13		60	2.0			
	15	4.17	18.5		1.26		60	2.5			
50-32-125A	3.75	1.04	5.4	1450	0.13	0.55	43	2.0	50	32	40
	6.3	1.74	5		0.16		54	2.0			
	7.5	2.08	4.6		0.17		55	2.5			
50-32-125A	6.7	1.86	17.5	2900	0.77	1.5	45	2.0	50	32	40
	11.2	3.11	16		0.86		58	2.0			
	13.5	3.74	14.7		0.92		58	2.5			
50-32-125A	3.36	0.93	4.3	1450	0.10	0.55	41	2.0	50	32	40
	5.6	1.56	4.0		0.12		52	2.0			
	6.7	1.86	3.7		0.13		53	2.5			
50-32-160	7.5	2.08	34.5	2900	1.59	3	44	2.0	50	32	40
	12.5	3.47	32		2.02		54	2.0			
	15	4.17	29		2.16		56	2.5			
50-32-160	3.75	1.04	8.5	1450	0.25	0.55	35	2.0	50	32	40
	6.3	1.75	8		0.29		48	2.0			
	7.5	2.08	7.5		0.31		49	2.5			
50-32-160A	7.02	1.94	30.3	2900	1.37	2.2	42	2.0	50	32	40
	11.7	3.28	28		1.74		52	2.0			
	14	3.89	26		1.86		54	2.5			
50-32-160A	3.51	0.97	7.4	1450	0.21	0.55	34	2.0	50	32	40
	5.9	1.64	7.0		0.24		45.5	2.0			
	7.0	1.95	6.6		0.27		46	2.5			
50-32-160B	6.5	1.81	25.8	2900	1.06	1.5	43	2.0	50	32	40
	10.8	3.01	24		1.34		53	2.0			
	13	3.62	22.2		1.43		55	2.5			
50-32-160B	3.25	1.5	6.4	1450	0.18	0.55	32	2.0	50	32	40
	5.4	1.5	6.0		0.21		42	2.0			
	6.5	1.5	5.6		0.23		42	2.5			
50-32-200	7.5	2.08	52.5	2900	2.82	5.5	38	2.0	50	32	40
	12.5	3.47	50		3.55		48	2.0			
	15	4.17	48		3.95		51	2.5			
50-32-200	3.75	1.04	13.1	1450	0.41	0.75	33	2.0	50	32	40
	6.3	1.75	12.5		0.51		42	2.0			
	7.5	2.08	12		0.56		44	2.5			
50-32-200A	7.02	1.95	47.3	2900	2.49	4	37	2.0	50	32	40
	11.7	3.25	45		3.13		47	2.0			
	14	3.9	43.2		3.5		48.5	2.5			
50-32-200A	3.51	0.97	11.3	1450	0.34	0.55	32	2.0	50	32	40
	5.9	1.64	11		0.44		40.5	2.0			
	7.02	1.95	10.4		0.46		42.5	2.5			
50-32-200B	6.5	1.81	39.8	2900	1.91	3	37	2.0	50	32	40
	10.8	3.01	38		2.39		47	2.0			
	13	3.63	36.4		2.68		48	2.5			
50-32-200B	3.26	0.91	9.9	1450	0.28	0.55	31	2.0	50	32	40
	5.4	1.51	9.5		0.42		39	2.0			
	6.53	1.81	9.1		0.39		42	2.5			
50-32-250	7.5	2.08	82	2900	5.87	11	28.5	2.0	50	32	76
	12.5	3.47	80		7.16		38	2.0			
	15	4.17	78.5		7.83		41	2.5			
50-32-250	3.75	1.04	20.5	1450	0.91	1.5	23	2.0	50	32	76
	6.3	1.74	20		1.07		32	2.0			
	7.5	2.08	19.5		1.14		35	2.5			
50-32-250A	7.02	1.95	72	2900	4.9	7.5	28	2.0	50	32	76
	11.7	3.25	70		5.95		38	2.0			
	14	3.9	68.5		6.53		40	2.5			
50-32-250A	3.51	0.97	18	1450	0.76	1.5	22.1	2.0	50	32	76
	5.9	1.64	17.5		0.88		32	2.0			
	6.53	1.81	16.5		0.91		34.5	2.5			
50-32-250B	6	1.81	61.5	2900	3.65	5.5	27.5	2.0	50	32	76
	10.8	3.01	60		4.48		36.5	2.0			
	13.1	3.63	58.5		4.9		39	2.5			
50-32-250B	3.26	0.91	15.3	1450	0.63	1.1	21.5	2.0	50	32	76
	5.4	1.51	15		0.72		30.5	2.0			
	6.53	1.81	13.8		0.67		33.5	2.5			
65-50-125	15	4.17	21.8	2900	1.54	3	58	2.0	65	50	38.6
	25	6.94	20		1.97		69	2.0			
	30	8.33	18.5		2.22		68	2.5			
65-50-125	7.5	2.08	5.35	1450	0.21	0.55	53	2.0	65	50	38.6
	12.5	3.47	5		0.27		64	2.0			
	15	4.17	4.7		0.3		65	2.5			



型号Model	流量Capacity		扬程Head (m)	转速Speed (r/min)	功率Power(kw)		效率Efficiency %	汽蚀余量NPSH(m)	泵口径 Pump Size		重量Weight
	(m ³ /h)	(L/S)			轴功率Shaft (pa)	电机功率Motor			进口Inlet Dia.	出口Outlet Dia.	
65-50-125A	13.5	3.73	17.7	2900	1.14	2.2	57	2.0	65	50	38.6
	22.4	6.22	16		1.43		68				
	26.9	7.46	15		1.65		67				
65-50-125A	6.72	1.86	4.3	1450	0.15	0.55	52	2.0	65	50	38.6
	11.2	3.11	4		0.19		63				
	13.4	3.73	3.8		0.22		64				
65-50-160	15	4.17	35	2900	2.65	5.5	54	2.0	65	50	38.6
	25	6.94	32		3.35		65				
	30	8.33	30		3.71		66				
65-50-160	7.5	2.08	8.8	1450	0.36	0.75	50	2.0	65	50	38.6
	12.5	3.47	8		0.45		60				
	15	4.17	7.2		0.49		60				
65-50-160A	14	3.89	30.5	2900	2.15	4	54	2.0	65	50	38.6
	23.4	6.5	28		2.75		65				
	28	6.48	26.3		3.04		66				
65-50-160A	7	1.94	7.6	1450	0.29	0.55	50	2.0	65	50	38.6
	11.7	3.25	7		0.37		60				
	14	3.89	6.3		0.40		60				
65-50-160B	13	3.62	26.3	2900	1.76	3	53	2.0	65	50	39
	21.7	6.03	24		2.22		64				
	26	7.23	22.5		2.45		65				
65-50-160B	6.5	1.8	6.57	1450	0.24	0.55	49	2.0	65	50	39
	10.8	3.01	6		0.29		60				
	13	3.62	5.63		0.34		50				
65-40-200	15	4.17	53	2900	4.42	7.5	49	2.0	65	40	46
	25	6.94	50		5.67		60				
	30	8.33	47		6.29		61				
65-40-200	7.5	2.08	13.7	1450	0.63	1.1	43	2.0	65	40	46
	12.5	3.47	12.5		0.77		55				
	15	4.17	11.8		0.85		57				
65-40-200A	14	3.89	46.2	2900	3.59	5.5	49	2.0	65	40	46
	23.4	6.5	44		4.67		60				
	28	6.48	41		5.13		61				
65-40-200A	7	1.94	11.5	1450	0.51	0.75	43	2.0	65	40	46
	11.7	3.25	11		0.64		55				
	14	3.89	10.3		0.69		57				
65-40-200B	13	3.62	37	2900	2.67	4	47.5	2.0	65	40	46
	21	6.03	35.5		3.48		58				
	24	7.23	33		3.65		59				
65-40-200B	6.5	1.8	9.1	1450	0.37	0.55	42	2.0	65	40	46
	10.8	3.01	8.6		0.45		55				
	13	3.62	8		0.49		56				
65-40-250	15	4.17	82	2900	9.05	15	37	2.0	65	40	80
	25	6.94	80		10.3		53				
	30	8.33	78		12.0		53				
65-40-250	7.5	2.08	21	1450	1.23	2.2	35	2.0	65	40	80
	12.5	3.47	20		1.42		48				
	15	4.17	18.54		1.65		48				
65-40-250A	14	3.80	72	2900	7.52	11	36.5	2.0	65	40	80
	23.4	6.5	70		8.75		51				
	28	6.48	68.5		8.95		53				
65-40-250A	7	1.94	18	1450	0.98	2.2	35	2.0	65	40	80
	11.7	3.25	17.5		1.24		45				
	14	3.89	17		1.38		47				
65-40-250B	12.5	3.626 0.037.23	59	2900	5.58	7.5	36	2.0	65	40	80
	21.7		56		6.47		48				
	25		53.5		7		52				
65-40-250B	6	1.8	15.5	1450	0.73	1.1	34.5	2.0	65	40	80
	10	3.01	14		0.87		44				
	12	3.62	13.5		0.96		46				
65-40-315	15	4.17	127	2900	18.5	30	28	2.5	65	40	106
	25	6.94	125		21.3		40				
	30	8.33	123		22.8		44				
65-40-315	7.5	2.08	32.3	1450	2.64	4	25	2.5	65	40	106
	12.5	3.47	32		2.94		37				
	15	4.17	31.7		3.16		41				
65-40-315A	14.3	3.98	115.4	2900	17.98	22	28	2.5	65	40	106
	23.9	6.64	114		18.78		38.55				
	28.7	7.96	112.6		20.23		43.5				
65-40-315A	7	1.99	29	1450	2.25	4	25	2.5	65	40	106
	11.7	3.32	28.5		2.57		36.5				
	14	3.98	28		2.64		40.5				
65-40-315B	13.6	3.78	104.7	2900	13.85	18.5	28	2.5	65	40	106
	22.7	6.3	103		16.33		39				
	27.2	7.56	101		17.4		43				



型号Model	流量Capacity		扬程Head (m)	转速Speed (r/min)	功率Power(kw)		效率Efficiency %	汽蚀余量NPSH(m)	泵口径 Pump Size		重量Weight	
	(m ³ /h)	(L/S)			轴功率Shaft (pa)	电机功率Motor			进口Inlet Dia.	出口Outlet Dia.		
65-40-315B	6.8	1.89	26.2	1450	1.84	3	25	2.5	65	40	106	
	10.8	3.15	24		1.96		36					
	13	3.78	23		2.04		40					
65-40-315C	12	3.57	12.5	2900	11.19	15	27	2.5	65	40	106	
	20	5.94	92		13.02		38.5					
	24	7.14	89		13.69		42.5					
	80-65-125	6	1.78	23	1450	1.5	2.2	25	2.5	65	40	106
		10	2.97	22.5		1.7		37				
		12	3.57	22		1.85		40				
80-65-125A		30	8.33	22.5	2900	2.87	5.5	64	3.0	80	65	53.5
		50	13.9	20		3.63		75				
		60	16.7	18		3.97		74				
	80-65-125A	15	4.17	5.6	1450	0.42	0.75	55	2.5	80	65	53.5
		25	6.94	5		0.48		71				
		30	8.33	4.5		0.51		72				
80-65-125A		26.8	7.57	18	2900	2.09	4	63	2.5	80	65	53.5
		44	12.4	15		2.63		75				
		75	15.6	14.4		2.9		72.5				
	80-65-160	13.4	3.79	4.5	1450	0.30	0.55	54.5	2.5	80	65	53.5
		22.4	6.22	4		0.35		70				
		26.9	7.57	3.6		0.37		71				
80-65-160A		30	8.33	36	2900	4.82	7.5	61	2.5	80	65	44
		50	13.9	32		5.97		73				
		60	16.7	29		6.59		72				
	80-65-160A	15	4.17	9	1450	0.67	1.5	55	2.5	80	65	44
		25	6.94	8		0.79		69				
		30	8.33	7.2		0.86		68				
80-65-160A		27	7.78	30.5	2900	3.74	5.5	60	2.5	80	65	44
		45	13	27		4.6		73				
		54	15.6	24.5		5.07		71				
	80-65-160B	14	3.9	7.9	1450	0.56	1.1	54	2.5	80	65	44
		23.4	6.5	7		0.67		67				
		28	7.78	6.3		0.73		66				
80-65-160B		24	7.21	25	2900	2.72	5.5	59	2.5	80	65	44
		40	12	22		3.42		70				
		48	14.5	19.5		3.69		69				
	80-50-200	13	3.6	6.8	1450	0.45	1.1	53	2.5	80	65	44
		21.7	6.03	6		0.54		66				
		26	7.21	5.4		0.59		65				
80-50-200A		30	8.33	53	2900	7.87	15	55	2.5	80	50	48
		50	13.9	50		9.87		69				
		60	16.7	47		10.8		71				
	80-50-200A	15	4.17	13.2	1450	1.06	2.2	51	2.5	80	50	48
		25	6.94	12.5		1.31		65				
		30	8.33	11.8		1.44		67				
80-50-200A		28.1	7.82	46.6	2900	6.54	11	54.5	2.5	80	50	48
		46.8	13	44		8.37		67				
		56.3	15.7	41.4		9.12		69.5				
	80-50-200B	14.1	3.91	11.6	1450	0.88	1.5	50.5	2.5	80	50	48
		23.4	6.57	11		1.11		63				
		28.1	8.2	10.4		1.22		65				
80-50-200B		26.1	7.62	40.2	2900	5.07	7.5	54	2.5	80	50	48
		43.3	12	38		6.53		66				
		52.3	14.6	35.7		7.1		69				
	80-50-250	13.1	3.63	10	1450	0.68	1.1	50	2.5	80	50	48
		21	6.03	9.5		0.87		61.5				
		26.1	7.26	9		0.98		62.5				
80-50-250A		30	8.33	84	2900	13.2	22	52	2.5	80	50	86
		50	13.9	80		17.3		63				
		60	16.7	75		19.2		64				
	80-50-250A	15	4.17	21	1450	1.75	3	49	2.5	80	50	86
		25	6.94	20		2.27		60				
		30	8.33	18.8		2.52		61				
80-50-250A		28.1	7.82	73.6	2900	10.8	18.5	52	2.5	80	50	86
		46.8	13	70		14.2		63				
		56.3	15.7	65.7		15.7		64				
	80-50-250B	14.1	3.91	18.4	1450	1.43	3	49	2.5	80	50	86
		23.4	6.5	17.5		1.89		59				
		28	7.82	16		2.03		60				
80-50-250B		26.1	7.26	63	2900	8.75	15	51	2.5	80	50	109
		43.3	12	60		11.41		62				
		52.3	14.6	56.2		12.64		63				
	80-50-250B	13.1	3.63	15.75	1450	1.06	2.2	48.5	2.5	80	50	109
		21	6.03	15		1.4		58				
		26.1	7.26	12.5		1.38		59				



型号Model	流量Capacity		扬程Head (m)	转速Speed (r/min)	功率Power(kw)		效率Efficiency %	汽蚀余量NPSH(m)	泵口径 Pump Size		重量Weight
	(m ³ /h)	(L/S)			轴功率Shaft (pa)	电机功率Motor			进口Inlet Dia.	出口Outlet Dia.	
80-50-315	30	8.33	128	2900	25.5	37	41	2.5	80	50	109
	50	13.9	125		31.5		54	2.5			
	60	16.7	123		35.3		57	3.0			
80-50-315A	15	4.176	32.5	1450	3.4	5.5	39	2.5	80	50	109
	25	9.48	32		4.19		52	2.5			
	30	8.33	31.5		4.6		56	3.0			
80-50-315A	28.7	7.96	116.9	2900	22.3	30	41	2.5	80	50	109
	47.7	13.3	114		27.4		54	2.5			
	57.3	15.9	112.3		30.7		57	3.0			
80-50-315B	14.3	3.986	29.2	1450	2.91	5.5	39	2.5	80	50	109
	23.8	6.27	28.5		3.55		52	2.5			
	28.7	7.96	28.0		3.91		56	3.0			
80-50-315B	27.2	7.56	105.5	2900	19.06	30	41	2.5	80	50	109
	45.4	12.6	103		23.8		54	2.5			
	54.5	15.2	101.4		26.64		56.5	3.0			
80-50-315C	13.6	3.79	26.4	1450	2.51	5.5	39	2.5	80	50	109
	22.7	6.3	25.8		3.07		52	2.5			
	27.2	7.56	25.4		3.36		56	3.0			
80-50-315C	25.742	7.14	92	2900	15.03	22	40	2.5	80	50	109
	9.51	11.9	89		18.29		53	2.5			
	1.4	14.3	87		21		54	3.0			
100-80-125	12.921	3.57	23.5	1450	2.12	4	39	2.5	80	50	109
	4.25	5.94	23		2.43		51.5	2.5			
	7.14	7.14	22		2.6		55.5	3.0			
100-80-125	60	16.7	24	2900	5.86	11	67	4.0	100	80	58
	100	27.8	20		7.0		78	4.5			
	120	33.3	16.5		8.2		74	5.0			
100-80-125A	30	8.33	6	1450	0.77	1.5	64	4.0	100	80	58
	50	13.9	5		0.91		75	4.5			
	60	16.7	4		0.92		71	5.0			
100-80-125A	53.7	15	19.2	2900	4.53	7.5	62	4.0	100	80	58
	89.4	24.8	16		5.26		74	4.5			
	107	29.8	14.8		6.37		68	5.0			
100-80-160	26.9	7.46	4.8	1450	0.62	0.75	57	2.5	100	80	58
	44.7	12.4	4		0.75		66	2.5			
	53.7	15	3.7		0.85		64	3.0			
100-80-160	60	16.7	38	2900	8.4	15	70	3.5	100	80	79
	100	27.8	32		11.2		78	4.0			
	120	33.3	28		12.2		75	5.0			
100-80-160A	30	8.33	9.2	1450	1.12	2.2	67	2.0	100	80	79
	50	13.9	8		1.45		75	2.5			
	60	16.7	6.8		1.57		71	3.5			
100-80-160A	56.1	15.6	33.2	2900	7.3	11	69.5	3.5	100	80	79
	93.5	26	28		9.2		78	4.0			
	112	31.1	24.5		10.1		74	5.0			
100-80-160B	28	7.79	8	1450	0.92	1.5	66.5	2.0	100	80	79
	46.8	13	7		1.21		75	2.5			
	56.1	15.6	6		1.31		70	3.5			
100-80-160B	50	13.9	28.4	2900	5.68	7.5	68	3.5	100	80	79
	83.5	23.2	22		6.5		78	4.0			
	100	28	19		7		73	5.0			
100-80-160B	56.1	15.6	33.2	1450	7.3	11	69.5	3.5	100	80	79
	93.5	26	28		9.2		78	4.0			
	112	31.1	24.5		10.1		74	5.0			
100-65-200	60	16.727	54	2900	13.6	22	65	3.0	100	65	56
	100	28.33	50		17.9		76	3.6			
	120	33.3	47		19.9		77	4.8			
100-65-200B	30	8.33	13.5	1450	1.84	4	60	2.0	100	65	56
	50	13.9	12.5		2.33		73	2.0			
	60	16.7	11.8		2.61		74	2.5			
100-65-200A	56.1	15.6	47.6	2900	11.2	18.5	65	3.0	100	65	56
	93.5	26.31	44		14.2		76	3.6			
	112	31.1	41.4		16.5		77	4.8			
100-65-200B	28	7.79	11.9	1450	1.51	3	60	2.0	100	65	56
	46.8	13	11		1.93		73	2.0			
	56.1	15.6	10.4		2.16		74	2.5			
100-65-200B	52.3	14.6	41	2900	8.9	15	65	3.0	100	65	56
	86.6	24.1	38		12.1		74	3.6			
	105	29	35.7		13.4		75.5	4.8			
100-65-250	25	6.96	6.8	1450	0.69	1.1	66	2.0	100	80	79
	41.8	11.6	5.6		0.81		73.5	2.5			
	50	13.9	4.5		0.87		69	3.0			
100-65-250	60	16.7	87	2900	23.4	37	61	3.5	100	65	95
	100	27.8	80		30.3		72	3.8			
	120	33.3	74.5		33.4		73	4.8			



型号Model	流量Capacity		扬程Head (m)	转速Speed (r/min)	功率Power(kw)		效率Efficiency %	汽蚀余量NPSH(m)	泵口径 Pump Size		重量Weight
	(m ³ /h)	(L/S)			轴功率Shaft (pa)	电机功率Motor			进口Inlet Dia.	出口Outlet Dia.	
100-65-250	30	8.33	21.3	1450	3.16		55	2.0	100	65	95
	50	13.9	20		4		68	2.0			
	60	16.7	19		4.44		70	2.5			
100-65-250A	56.1	15.6	76	2900	19.35	30	60	3.5	100	65	95
	93.5	26	70		25.5		70	3.8			
	112	31.1	65		28.12		72	4.8			
	28	7.79	18.6	1450	2.68	4	53	2.0	100	65	95
	46.8	13	17.5		3.35		65.5	2.0			
	56.1	15.6	16		3.55		67.5	2.5			
100-65-250B	52.3	14.6	65.3	2900	15.36	22	55	3.5	100	65	95
	86.6	24.1	60		19.55		66	3.8			
	105	29	54		20.85		67	4.8			
	26.2	7.26	16	1450	2.09	3	51	2.0	100	65	95
	43.3	12	15		2.68		62.5	2.0			
	52.3	14.6	13.5		2.79		64.5	2.5			
100-65-315	60	16.7	133	2900	39.5	75	55	3.0	100	65	130
	100	28.3	125		51.6		66	3.6			
	120	33.3	118		57.6		67	4.2			
	30	8.33	34	1450	5.45	11	51	2.0	100	65	130
	50	13.9	32		6.92		63	2.0			
	60	16.7	30		7.66		64	2.5			
100-65-315A	57.3	16	116	2900	32.2	55	55	3.0	100	65	130
	95.5	26.5	109		42.6		66	3.6			
	114	28	103		47.2		67	4.2			
	28.7	7.96	29.7	1450	4.4	7.5	51	2.0	100	65	130
	47.7	13.3	27.9		5.66		63	2.0			
	57.3	16	26		6.24		63.5	2.5			
100-65-315B	54.5	15.2	103	2900	26.5	45	55	3.0	100	65	130
	90.8	25.3	95.7		35		65	3.6			
	109	30.2	90.3		39.4		66	4.2			
	27.2	7.56	26	1450	3.6	7.5	51	2.0	100	65	130
	45.4	12.6	24.5		4.6		63	2.0			
	54.5	15.2	23		5.3		62.5	2.5			
100-65-315C	51.4	14.3	87.3	2900	21	37	55	3.0	100	65	130
	85.8	23.3	82		28.3		66	3.6			
	103	28.6	77		31.6		64.5	4.2			
	25.7	7.14	22.3	1450	2.9	5.5	51	2.0	100	65	130
	42	11.9	21		3.7		62	2.0			
	51.4	14	20		4.3		62	2.5			
125-100-200	120	33.3	57.5	2900	28.0	45	67	4.5	125	100	87
	200	55.6	50		33.6		81	4.5			
	240	66.7	44.5		36.4		80	5.0			
	60	16.7	14.5	1450	3.63	7.5	52	2.5	125	100	87
	100	27.8	12.5		4.48		76	2.5			
	120	33.3	11		4.79		75	3.0			
125-100-200A	113	31.2	50.5	2900	24	37	65	4.5	125	100	87
	187	52	44		28.4		81	4.5			
	225	62.5	39		31		77.5	5.0			
	56.3	15.7	12.7	1450	3.2	5.5	61	2.5	125	100	87
	93.5	26.3	11		3.8		74	2.5			
	113	29.7	9.7		4		73.5	3.0			
125-100-200B	105	29.1	42	2900	17.38	30	62.5	4.5	125	100	87
	173	48.1	35		19.9		75.5	4.5			
	209	58.2	30.5		20.9		75.5	5.0			
	52.4	14.6	11	1450	2.6	4	59	2.5	125	100	87
	86.5	24.1	9.5		3.2		71	2.5			
	105	29.1	8.4		3.5		69	3.0			
125-100-250	120	33.3	87	2900	43.0	75	66	3.8	125	100	125
	200	55.6	80		55.9		78	4.2			
	240	66.7	72		62.8		75	5.0			
	60	16.7	21.5	1450	5.59	11	66	2.5	125	100	125
	100	27.8	20		7.17		76	2.5			
	120	33.3	18.5		7.85		77	3.0			
125-100-250A	112	31.2	76	2900	35	55	66	3.8	125	100	125
	187	52	70		45.7		78	4.2			
	220	62.5	63		51.35		73.5	5.0			
	56.3	15.7	18.8	1450	4.6	7.5	63	2.5	125	100	125
	93.5	26	17.5		5.9		76	2.5			
	113	31.2	16.2		6.4		77	3.0			
125-100-250B	105	29.1	65.3	2900	28	45	68	3.8	125	100	125
	173	48.1	60		36.4		78	4.2			
	209	58.2	54		41.5		73	5.0			
	52.4	14.6	16	1450	3.6	5.5	63	2.5	125	100	125
	86.5	24.1	15		4.67		75.5	2.5			
	105	29.1	13.5		5		76.5	3.0			



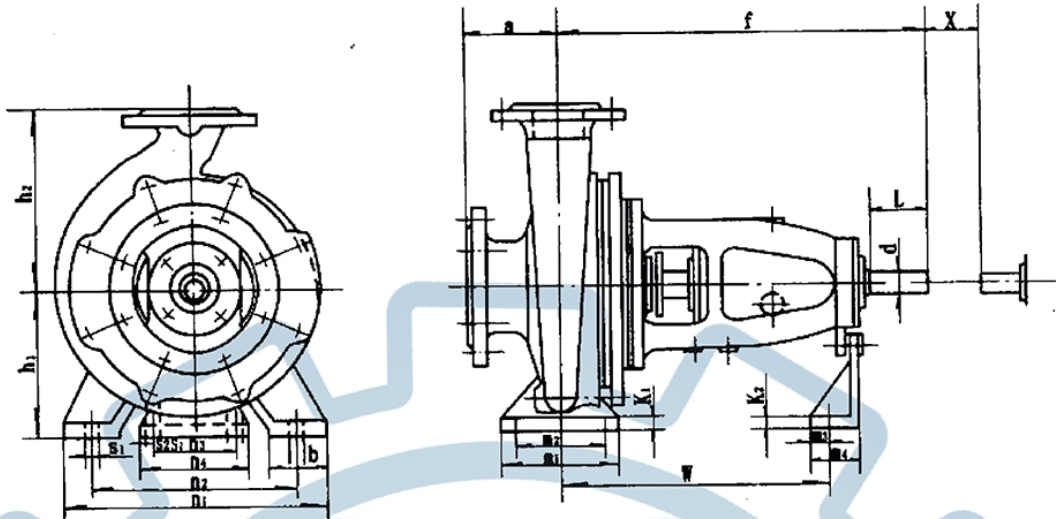
型号Model	流量Capacity		扬程Head (m)	转速Speed (r/min)	功率Power(kw)		效率Efficiency %	汽蚀余量NPSH(m)	泵口径 Pump Size		重量Weight
	(m ³ /h)	(L/S)			轴功率Shaft (pa)	电机功率Motor			进口Inlet Dia.	出口Outlet Dia.	
125-100-315	120	33.3	133	2900	72.2	110	60	4.0	125	100	125
	200	55.6	125		90.8		75	4.5			
	240	66.7	120		102		77	5.0			
125-100-315	60	16.7	33.5	1450	9.4	15	58	2.5	125	100	125
	100	27.78	32		11.9		73	2.5			
	120	33.33	30.5		13.5		74	3.0			
125-100-315A	115	31.8	121	2900	63	90	59.5	4.0	125	100	125
	191	53.1	114		80.7		73.5	4.5			
	229	63.6	109		90		75.5	5.0			
	57.3	15.9	30.5	1450	8.4	15	56.5	2.5	125	100	125
	95.5	26.5	28.5		10.3		72	2.5			
115	31.8	27.8		11.9		72.5	3.0				
125-100-315B	109	30.2	109.8	2900	55.2	75	58.5	4.0	125	100	125
	182	50.4	103		71.2		71.5	4.5			
	218	60.6	99		68.1		75	5.0			
	54.5	15.2	27.6	1450	7.4	11	54.5	2.5	125	100	125
	90.8	25.2	25.8		8.92		70	2.5			
109	30.2	24.5	10.06		71		3.0				
125-100-315C	103	28.6	98	2900	57.4	75	58	4.0	125	100	125
	172	47.7	92		60.6		71	4.5			
	206	57.2	88		67.7		75	5.0			
	51.4	14.3	24.7	1450	6.4	11	54	2.5	125	100	125
85.8	23.8	23	7.5		69.5		2.5				
103	28.6	22.5	8.95		70.5		3.0				
125-100-400	60	16.7	52	1450	16	30	53	2.5	125	100	137
	100	27.8	50		21		65	2.5			
	120	33.3	48.5		23.6		67	3.0			
125-100-400A	56.3	15.7	45.7	1450	13.2	22	53	2.5	125	100	137
	93.5	26	44		17.2		65	2.5			
	113	31.2	42.7		19.6		66.8	3.0			
125-100-400B	52	14.6	39.5	1450	10.6	18.5	53	2.5	125	100	137
	86.5	24	38		13.9		64.5	2.5			
	150	29.1	37		15.76		66.5	3.0			
150-125-250	120	33.3	22.5	1450	10.7	18.5	71	2.5	150	125	137
	200	55.6	20		13.5		81	2.5			
	240	66.7	17.5		14.66		78	3.0			
150-125-250A	112	31.2	19.7	1450	8.8	15	68.5	2.5	150	125	137
	187	52	17.5		11.6		77	2.5			
	225	62.5	15.3		12.5		75	3.0			
150-125-250B	105	29.1	16.9	1450	7.4	11	64.5	2.5	150	125	137
	173	48.1	15		9.4		75	2.5			
	209	58.2	13		10.27		71	3.0			
150-125-315	120	33.3	34	1450	15.9	30	70	2.5	150	125	158
	200	55.6	32		22.1		78.5	2.5			
	240	66.7	29		23.7		79	3.0			
150-125-315A	112	31.2	29.7	1450	13	22	69	2.5	150	125	158
	187	52	28		18.2		78.5	2.5			
	225	62.5	25.3		19.5		80	3.0			
150-125-315B	105	29.1	25.5	1450	10.5	18.5	68	2.5	150	125	158
	173	48.1	24		14.6		77.5	2.5			
	209	58.2	21.7		15.76		78	3.0			
150-125-400	120	33.3	53	1450	27.9	45	62	2.5	150	125	137
	200	55.6	50		36.3		75	2.8			
	240	66.7	46		40.6		74	3.5			
150-125-400A	112	31.2	46.6	1450	23	37	62	2.0	150	125	137
	187	52	44		30.1		74.5	2.5			
	225	62.5	40.4		33.9		73	3.5			
150-125-400B	104	29.1	40.3	1450	18.5	30	62	2.0	150	125	137
	173	48.1	38		24.19		75	2.8			
	208	58.2	35		27.35		72.5	3.0			
200-150-250	240	66.7	22.5	1450	21.1	37	70	3.0	200	150	187
	400	111.1	20		26.6		82	3.5			
	460	128	17.5		27.75		79	4.0			
200-150-250A	225	62.5	19.7	1450	18	30	67	3.0	200	150	187
	374	104	17.5		22.3		80	3.5			
	431	120	15.3		23		78	4.0			
200-150-250B	208	57.796	16.9	1450	14.7	22	65.5	3.0	200	150	187
	346	.2	15		18.2		77.5	3.5			
	398	11.1	13.1		18.5		77	4.0			
200-150-315	240	66.7	37	1450	34.6	55	70	3.0	200	150	187
	400	111.1	32		32.5		82	3.5			
	460	128	28.5		44.6		80	4.0			
200-150-315A	225	62.5	32.5	1450	28.9	45	69	3.0	200	150	187
	374	104	28		35.4		80.5	3.5			
	431	120	25		37.3		78.5	4.0			



型号Model	流量Capacity		扬程Head (m)	转速Speed (r/min)	功率Power(kw)		效率Efficiency %	汽蚀余量NPSH(m)	泵口径 Pump Size		重量Weight
	(m ³ /h)	(L/S)			轴功率Shaft (pa)	电机功率Motor			进口Inlet Dia.	出口Outlet Dia.	
200-150-315B	208	57.7	28	1450	23.3	37	68	3.0	200	150	187
	346	96.2	24		29		78				
	398	111	21.4		30.3		77				
200-150-400	240	66.7	55	1450	48.6	90	74	3.0	200	150	187
	400	111	50		67.2		81				
	460	128	45		74.2		76				
200-150-400A	225	62.5	48.4	1450	40.6	75	73	3.0	200	150	187
	374	104	44		56.0		81				
	431	120	39.6		62.7		74				
200-150-400B	208	57.7	41.8	1450	33	55	72	3.0	200	150	187
	346	96.2	38		45.3		79				
	398	111	34		51.4		72				
200-150-400C	194	34	34	1450	25.8	45	69.5	3.0	200	150	187
	324	30.8	30.8		35.6		76.3				
	372	27.8	27.8		39.3		71.4				
250-200-315	380	35.5	32	1450	51.72	90	71	3.0	250	200	187
	630	32	32		64.95		84.5				
	760	29	29		71.43		84				
250-200-315A	360	31.6	31.6	1450	44.56	75	69.5	3.0	250	200	187
	590	28.5	28.5		55.15		83				
	720	25.8	25.8		61.29		82.5				
250-200-315B	340	27.7	27.7	1450	37.43	75	68.5	3.0	250	200	187
	560	25	25		46.48		82				
	670	22.6	22.6		50.58		81.5				
250-200-400	380	52	52	1450	75.76	132	71	3.0	250	200	187
	630	50	50		101.48		84.5				
	760	46.7	46.7		117.11		82.5				
250-200-400A	360	46.8	46.8	1450	65.99	110	69.5	3.0	250	200	187
	600	45	45		88.55		83				
	720	42	42		101.63		81				
250-200-400B	340	41.6	41.6	1450	56.21	110	68.5	3.0	250	200	187
	560	40	40		74.36		82				
	680	37.4	37.4		86.54		80				



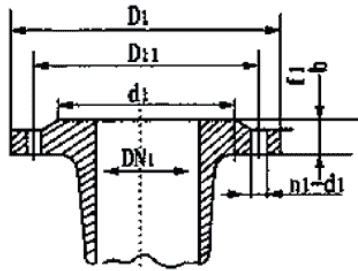
IR/ IS 型泵外形尺寸图 Overall and Dimensions Figure



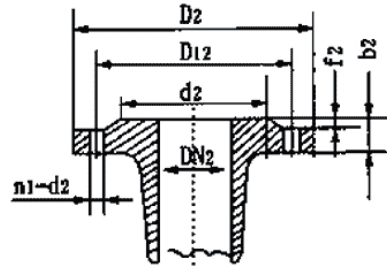
产品型号 Type of Pump	泵 Pump				泵脚座 Pump Feet												w	螺栓孔 Bolt holes		轴端 Shaft End		间隙 Space							
	a	f	h1	h2	b	m1	m2	m3	m4	n1	n2	n3	n4	k1	k2	s1		s2	d	L	X								
50-32-125	80	385	112	140	50	100	70	19	60	190	140	110	145	10	285	M12	M12	24	50	100									
50-32-160			132	160						240	190																		
50-32-200			160	180						240	190																		
50-32-250	100	500	180	225	65	125	95	25	65	320	250	110	145	14	370	M12	M12	32	80	100									
65-50-125	80	385	112	140	50	100	70	19	60	210	160										110	145	10	285	M12	M12	24	50	100
65-50-160			132	160						240	190																		
65-40-200			160	180						265	212																		
65-40-250	100	500	180	225	65	125	95	25	65	320	250	110	145	14	370	M12	M12	32	80	100									
65-40-315	125		200	250						345	280																		
80-65-125	100		385	132						160	50										100	70	19	60	240	190	110	145	10
80-65-160		160		180	265	212																							
80-50-200		200		250	320	250																							
80-50-250	125	500	180	225	65	125	95	25	65	320	250	110	145	14	370	M12	M12	32	80	100									
80-50-315			225	250						345	280																		
100-80-125			100	385						180	180										65	125	95	24	60	280	212	110	145
100-80-160	160	200			280	212																							
100-65-200	500	180			225	320	250																						
100-65-250	125	530	200	250	80	160	120	25	65	360	280	110	145	14	370	M16	M12	32	80	140									
100-65-315			225	280						400	315																		
125-100-200			125	500						200	280										25	65	360	280					
125-100-250	140	530	225	280	80	160	120	28	65	360	280	110	145	14	370	M16	M12	42	110	140									
125-100-315			250	315						400	315																		
125-100-400			280	355						500	400																		
150-125-250	140	530	250	355	80	160	120	28	65	360	280	110	145	14	370	M16	M12	32	80	140									
150-125-315			280	355						400	315																		
150-125-400			315	355						500	400																		
200-150-250	160	530	280	375	100	200	150	28	65	500	400	110	145	14	370	M20	M12	42	100	180									
200-150-315			400	375						550	450																		
200-150-400			670	315						550	450																		



法兰安装 Dimensions of Suction and Delivery Flange Figure



吸入口法兰

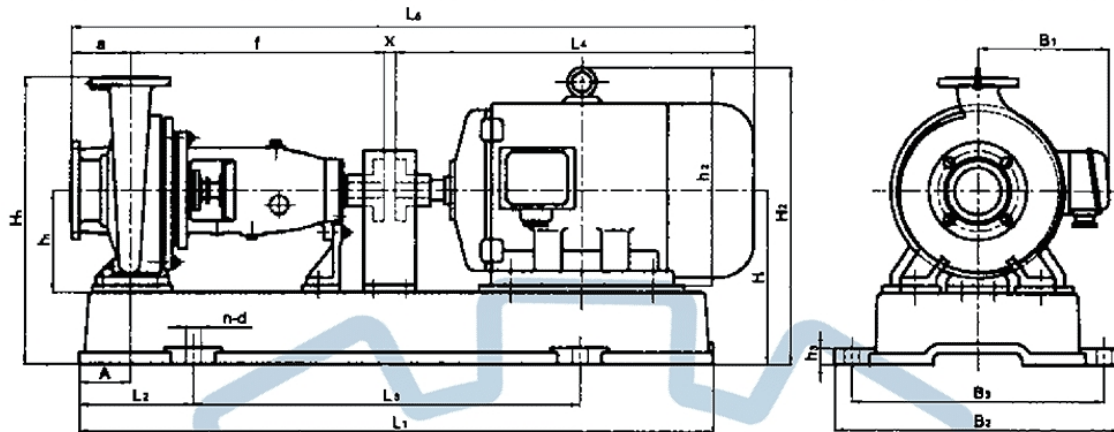


排出口法兰

产品型号 Type of Pump	吸入口法兰尺寸 Inlet Flange Date							排出口法兰尺寸 Outlet Flange Date						
	DN1	D1	D11	d1	b1	f1	n1-d.1	DN2	D2	D12	d2	b2	f2	n2-d.2
50-32-125	50	165	125	102	20	3	4-17.5	32	140	100	78	18	2	4-17.5
50-32-160														
50-32-200														
50-32-250														
65-50-125	65	185	145	122	20	3	4-17.5	50	165	125	102	20	3	4-17.5
65-50-160														
65-40-200								40	150	110	88	18	3	4-17.5
65-40-250														
65-40-315	80	200	160	133	22	3	8-17.5	65	185	145	122	20	3	4-17.5
80-65-125														
80-65-160														
80-50-200								50	165	125	102	20	3	4-17.5
80-50-250	100	220	180	158	24	3	8-17.5	80	200	160	133	22	3	8-17.5
80-50-315														
100-80-125														
100-80-160														
100-65-200	125	250	210	184	26	3	8-17.5	65	185	145	122	20	3	4-17.5
100-65-250														
100-65-315														
125-100-200								100	220	180	158	24	3	8-17.5
125-100-250	150	285	240	212	26	3	8-22	125	250	210	184	26	3	8-17.5
125-100-315														
125-100-400														
150-125-250														
150-125-315	200	340	295	268	30	3	12-22	150	285	240	212	26	3	8-22
150-125-400														
200-150-250														
200-150-315	200	340	295	268	30	3	12-22	150	285	240	212	26	3	8-22
200-150-400														



外形安装尺寸 Overall and installation Dimensions



产品型号 Pump	机座号/功率 Frame size/Power (Kw)	外形安装尺寸 Overall and installation Dimensions																					
		A	L1	L2	L3	L4	a	f	x	L5	B1	B2	B3	h1	h2	h3	H	H1	H2	N-φd			
50-32-125	Y80-4/0.55	80	820	150	540	285	80	385	100	850	150	360	320	112	170	25	237	377	327	4-φ18.5			
	310					875				115	190												
	350					900				390	350										190		
	380					945				180	390										350		
50-32-160	Y80-4/0.55	80	820	150	540	285	80	385	100	850	150	360	320	132	190	25	257	417	357	4-φ18.5			
	310					875				155	190												
	335					900				155	390										350	245	
	380					945				180	390										350	245	
50-32-200	Y80-4/0.75	80	920	170	600	285	80	385	100	850	150	360	320	160	245	25	285	465	375	4-φ18.5			
	380					945				180	390										350	265	
	400					965				190	390										350	265	
	475					1040				210	450										400	315	30
50-32-250	Y90S-4/1.5	95	1020	190	660	310	100	500	100	1010	155	450	400	180	170	25	285	465	450	4-φ24			
	335					1035				155											400	245	
	475					1175				210											490	440	265
	600					1300				255											540	490	315
65-50-125	Y80-4/0.55	80	820	150	540	285	80	385	100	850	150	360	320	112	190	25	237	377	337	4-φ18.5			
	310					875				155	190												
	335					900				155	390										350	245	
	380					945				180	390										350	245	
65-50-160	Y80-4/0.75	80	920	170	600	285	80	385	100	850	150	360	320	132	245	25	257	417	402	4-φ18.5			
	380					945				180	390										350	265	
	400					965				190	390										350	265	
	475					1040				210	450										400	315	30
65-40-200	80-4/0.75	80	920	170	600	285	100	385	100	870	150	390	350	160	190	25	285	465	375	4-φ18.5			
	310					895				155	390										350	265	
	400					985				190	390										350	265	
	475					1060				210	450										400	315	30
65-40-250	90S-4/1.1	95	1020	190	660	310	100	500	100	1010	155	450	400	180	190	30	305	530	405	4-φ24			
	335					1035				155											400	245	
	380					1080				180											390	350	245
	475					1175				210											490	440	315
65-40-315	100L-4/3	95	1140	210	740	380	125	500	100	1105	180	490	440	200	245	30	340	590	485	4-φ24			
	400					1125				190	265				493								



产品型号 Pump	机座号/功率 Frame size/Power (Kw)	外形安装尺寸 Overall and installation Dimensions																				
		A	L1	L2	L3	L4	a	f	x	L5	B1	B2	B3	h1	h2	h3	H	H1	H2	N-φ d		
65-40-315	160L-2/18.5	95	1290	225	840	645	125	500	100	1370	255	540	490	200	385	30	360	610	585	4		
	670					1395				285	430				610							
	775					1500				310	610				550				475		630	655
80-65-125	80-4/0.75	80	920	170	600	285	100	385	100	870	150	390	350	132	170	40	257	417	347	4-φ18.5		
	380					965				180	245				402							
	400					985				190	265				410							
	475					1060				210	450				400				315	30	440	4-φ24
80-65-160	80-4/0.75	80	920	170	600	285	100	385	100	870	150	390	350	160	170	30	285	465	375	4-φ18.5		
	310					895				155	190				385							
	335					920				155	190				385							
	400					985				190	265				438							
	475					1060				210	450				400				315	30	468	4-φ24
80-50-200	90S-4/1.1	80	920	170	600	310	100	385	100	895	155	390	350	160	190	25	285	485	385	4-φ18.5		
	335					920				155	190				430							
	380					960				180	245				468							
	475					1060				210	450				400				315	30	525	4-φ24
	1140					1185				255	490				440				385	30	300	500
80-50-250	100L-4/3	95	1020	190	660	380	125	500	100	1105	180	450	400	180	245	30	305	530	450	4-φ24		
	600					1325				255	430				565							
	615					1370				255	430				590							
	670					1395				285	430				590							
80-50-315	112M-4/4	95	1140	210	740	410	125	500	100	1125	190	490	440	225	265	30	365	645	518	4-φ24		
	475					1200				210	315				548							
	670					1395				285	430				635							
	775					1500				310	610				550				475	40	405	685
100-80-125	80-4/0.75	95	920	170	600	280	100	385	100	870	150	390	350	160	170	25	285	465	385	4-φ18.5		
	310					895				155	190				385							
	335					920				155	190				385							
	475					1060				210	450				400				315	30	468	4-φ24
	1140					1185				255	490				440				385	30	300	480
100-80-160	90L-4/1.5	95	1020	190	660	335	100	500	100	1035	155	450	400	160	190	30	285	485	385	4-φ24		
	380					1080				180	245				430							
	600					1300				255	490				490				385		30	320
100-65-200	100L-4/3	95	1140	210	740	380	100	500	140	1120	180	490	440	180	245	30	340	565	465	4-φ24		
	400					1140				190	265				473							
	600					1340				225	385				565							
	645					1385				255	490				590							
	60					1410				285	430				590							
100-65-250	100L-4/3	110	1140	210	740	380	125	500	140	1145	180	490	440	200	245	30	340	590	485	4-φ24		
	400					1165				190	265				493							
	475					1240				210	315				523							
	670					1435				285	430				610							
	775					1540				310	610				550				475	40	380	630
100-65-315	132S-4/5.5	110	1270	225	840	475	125	530	140	1270	210	540	490	225	315	30	385	665	568	4-φ24		
	515					1310				255	385				610							
	600					1395				255	385				610							
	775					1570				310	610				550				475	40	405	685



产品型号 Pump	机座号/功率 Frame size/Power (Kw)	外形安装尺寸Overall and installation Dimensions																								
		A	L1	L2	L3	L4	a	f	x	L5	B1	B2	B3	h1	h2	h3	H	H1	H2	N-φ d						
100-65-315	225M-2/45	110	1620	290	1060	815	125	530	140	1610	345	660	600	225	530	40	425	705	730	4-φ28						
	930					1725				385	575				750											
	1000					1795				410	640				785											
125-100-200	112M-4/4	110	1140	210	740	400	125	500	140	1165	190	490	440	200	265	30	340	620	493	4-φ24						
	475					1240				201	315				523											
	515					1280																				
125-100-200	180M-2/22	110	1290	225	840	670	125	500	140	1435	285	540	490	200	430	30	360	640	610	4-φ24						
	775					1540				130	475				655											
	815					1580				345	530				685											
125-100-250	132S-4/5.5	110	1270	225	840	475	140	530	140	1285	210	540	490	225	315	30	385	665	568	4-φ24						
	515					1325									385				610							
	600					1410				255					475				680							
	200L-2/37					1420				250	940	775	140	530	140	1585	310	610	550	225	475	405	635	680	4-φ28	
	225M-2/45					1620				290	1060	815	140	530	140	1625	345	660	600	225	530	40	425	705		730
	930											1740				385	575				750					
	1000											1810				410	640				785					
125-100-315	160M-4/11	110	1270	225	840	600	140	530	140	1410	225	540	490	250	385	30	410	725	635	4-φ24						
	645					1455				610					550				640							
	160L-4/15					1420				250	940	1000	140	530	140	1810	410	730	670	250	640	40	450	765	810	4-φ28
	1050											1860									760				895	
	1200											2000				460					300				740	
125-100-400	160L-4/15	130	1620	290	1060	645	140	530	140	1455	255	660	600	280	385	40	480	835	730	4-φ28						
	670					1480					475				755											
	710					1520																				
	775					1585				310																
150-125-250	160M-4/11	110	1280	225	840	600	140	530	140	1410	255	540	490	250	385	30	410	765	635	4-φ28						
	645					1455				610					550				430							
	670					1480				285	430	680														
150-125-315	180M-4/18.5	130	1620	290	1060	670	140	530	140	1480	285	660	600	280	430	40	480	835	730	4-φ28						
	710					1520				660					600				475							
	775					1585				310																
150-125-400	200L-4/30	130	1620	290	1060	775	140	530	140	1585	310	660	600	315	475	40	515	915	790	4-φ28						
	820					1630				345	530				820											
	845					1655																				
200-150-250	180L-4/22	130	1620	290	1060	710	160	530	180	1580	285	660	600	280	430	40	480	855	730	4-φ28						
	775					1645				310	530				785											
	820					1690				345	530				820											
200-150-315	200L-4/30	130	1820	320	1200	775	160	670	180	1785	310	730	670	315	475	40	515	915	790	4-φ28						
	820					1830				345	530				820											
	845					1855																				
	930					1940				385	730				670				315		575	40	515	915	840	
	820					1830				345																
	845					1855																				
	930					1940				385																
200-150-400	225M-4/45	130	1840	320	1200	845	160	670	180	1855	345	730	670	315	530	40	515	965	820	4-φ28						
	930					1940				385	575				840											
	1000					2010				410	640				875											
	1050					2060																				