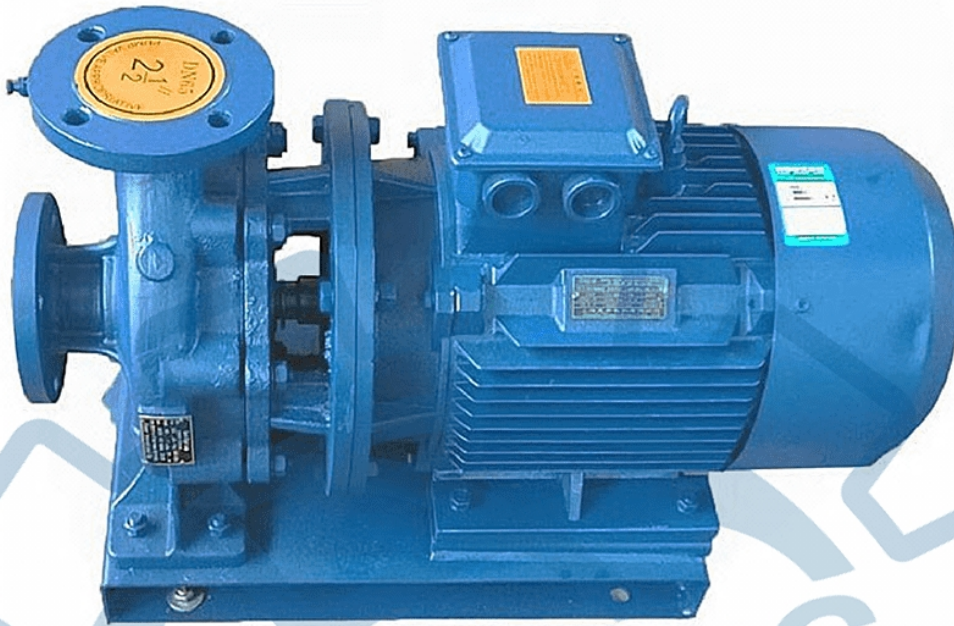




ISW/ISWR/ISWH/ISWHB Horizontal Centrifugal Pump



描述 Introduction

ISW型卧式离心泵根据IS型离心泵与立式泵的独特结构组合设计，并严格按照国际标准ISO2858和新的国家管道离心泵标准GB/T2816-2002进行设计制造的高效节能产品。ISW型卧式离心泵采用国内先进水力模型优化设计而成。同时根据使用温度、介质等不同在ISW型基础上派生出热水泵、高温泵、化工泵、油泵等，是目前国家标准定型推广产品。

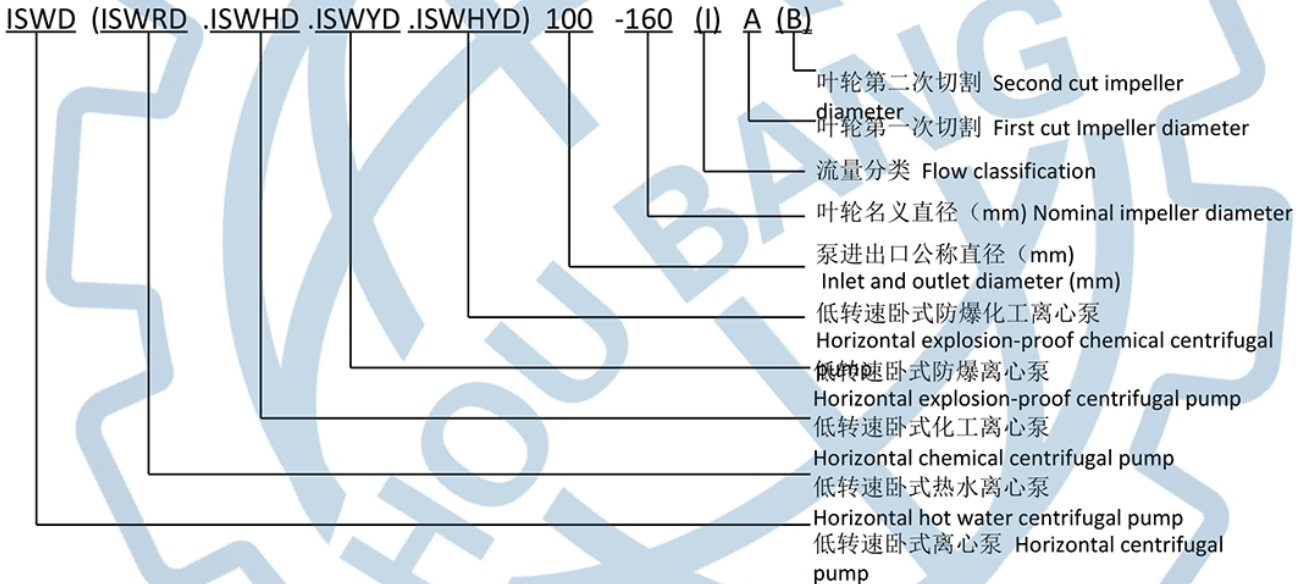
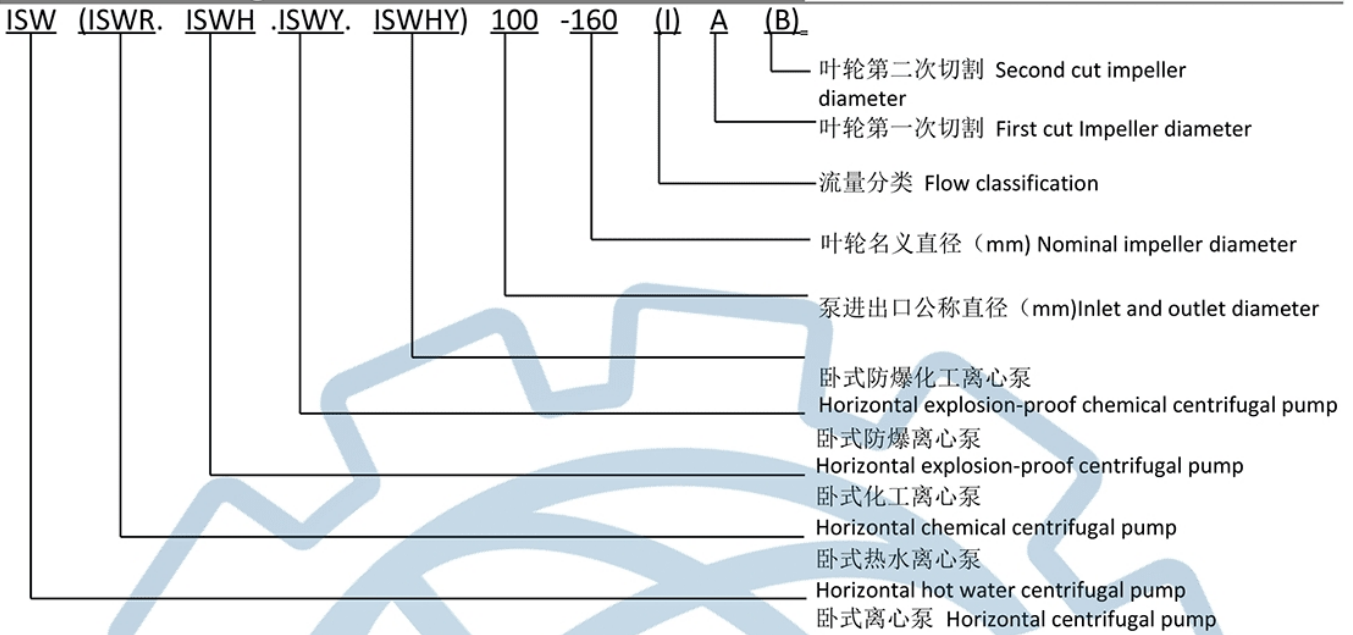
ISW、ISWR、ISWH、ISWHB、SERES horizontal centrifugal pumps are optimally designed with domestic advanced hydraulic models, with are based upon the performance of IS and IR centrifugal pumps, and ISO2858 standard. They are a new generation of highly effective and energy-saving horizontal pumps.

用途 Usage

- ◆ ISW卧式水泵，用于输送水和物理化学性质类似于水的其他液体，适用于工业和城市给排水、高层建筑加压水、园林灌溉、消防增压、长途运输、暖通制冷循环、卫浴等冷暖加压水循环及配套设备，使用温度 $t \leq 80^{\circ}\text{C}$ 。
- ◆ ISWR卧式热泵广泛应用于：冶金、化工、纺织、造纸、宾馆饭店等锅炉、城市供热系统循环，ALWR型温度 $t \leq 120^{\circ}\text{C}$ 。
- ◆ ISWH卧式化工泵，用于输送腐蚀性固体颗粒、粘度类似于水，适用于石油、化工、冶金、电力、造纸、食品、制药和合成纤维等部门，使用温度 $-20^{\circ}\text{C} \sim +120^{\circ}\text{C}$ 。
- ◆ ISWY水平管道石油输送汽油、煤油、柴油等油品，或易燃、易爆液体，输送介质温度为 $-20^{\circ}\text{C} \sim 120^{\circ}\text{C}$ 。
- ◆ ISWHY卧式不锈钢防爆化工离心泵适用于输送易燃化学液体。
- ◆ ISWD卧式低速泵满足低环境噪声场合的要求，温度 $t \leq 120^{\circ}\text{C}$ 。
- ◆ ISW horizontal water pump, other liquids used for the transport of water and physical and chemical properties similar to water, apply to industrial and urban water supply and drainage, high-rise building pressurized water, garden irrigation, fire booster, long-distance transport, warm through the refrigeration cycle, bathrooms and other warm and cold pressurized water cycle and supporting equipment, the use of temperature $t \leq 80^{\circ}\text{C}$.
- ◆ ISWR horizontal heat pumps widely used in: metallurgy, chemical, textile, paper, and hotels and restaurants and other boilers, circulation of urban heating system, ALWR type temperature $t \leq 120^{\circ}\text{C}$.
- ◆ ISWH horizontal chemical pump for conveying solid particles, corrosive. Viscosity similar to water, apply to the petroleum, chemical, metallurgical, power, paper, food, pharmaceutical and synthetic fiber and other departments, the use of temperature $-20^{\circ}\text{C} \sim +120^{\circ}\text{C}$.
- ◆ ISWY horizontal pipeline oil transport gasoline, kerosene, diesel and other oil products, or flammable, explosive liquid, is transported medium temperature of $-20^{\circ}\text{C} \sim 120^{\circ}\text{C}$.
- ◆ ISWHY horizontal stainless steel explosion-proof chemical centrifugal pump is applicable to transport inflammable chemical liquids.
- ◆ ISWD horizontal low speed pump to meet the requirements of low ambient noise situations, temperature $t \leq 120^{\circ}\text{C}$.

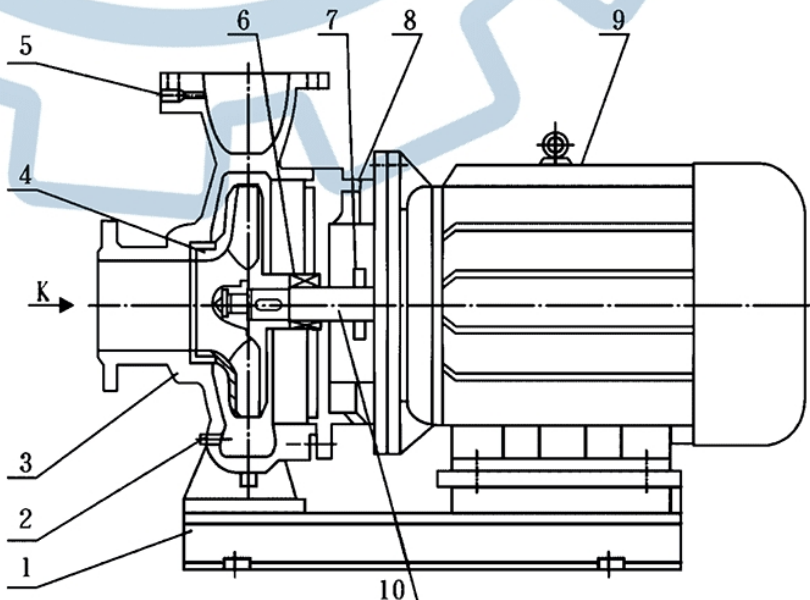


型号代码 Ordering Code



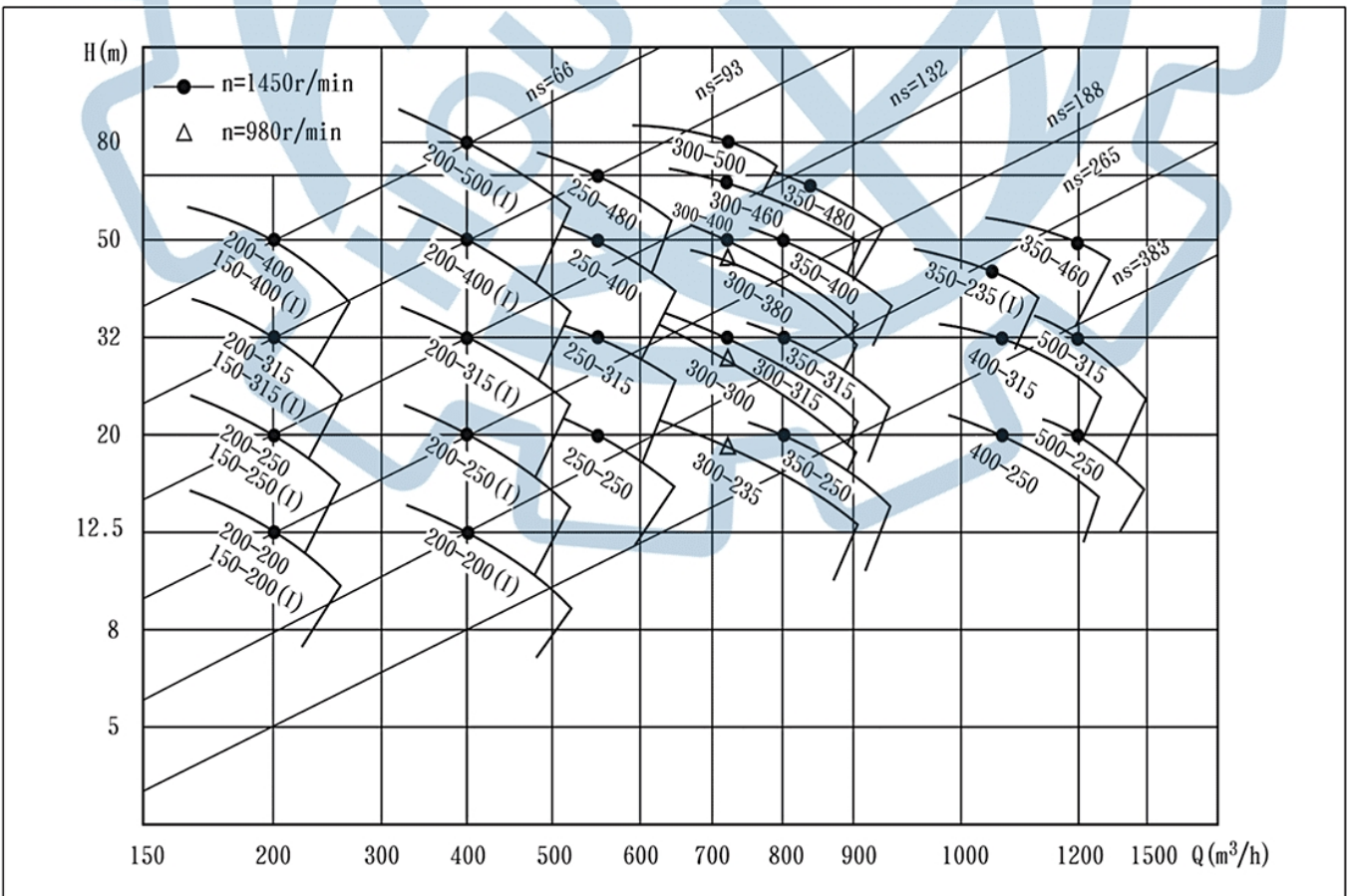
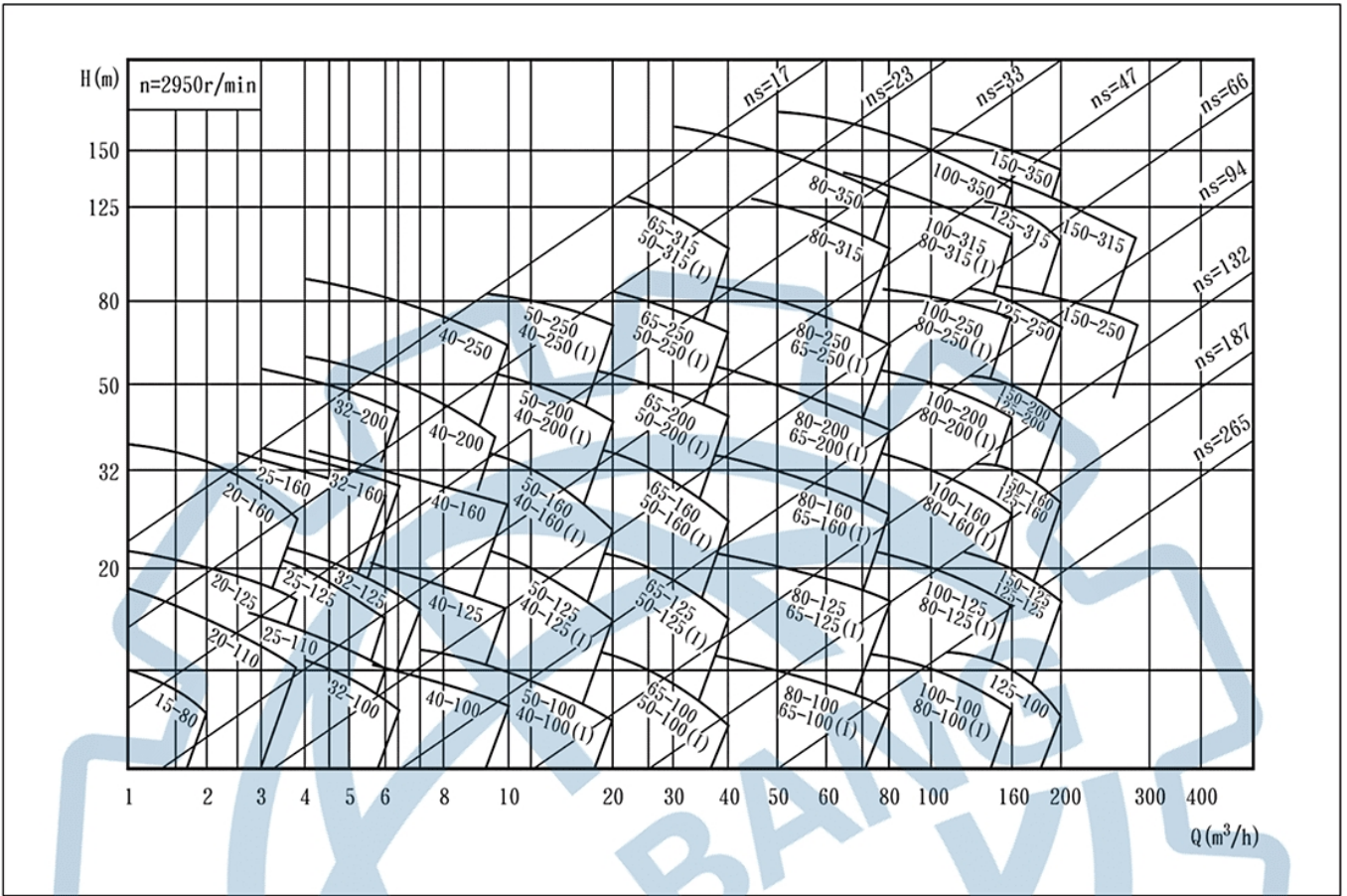
结构图 Structure Drawing

- 1-底座 Foundation
- 2-堵头 Plug
- 3-泵体 Pump casing
- 4-叶轮 Impeller
- 5-取压孔 pressure port
- 6-机械密封 Mechanical Seal
- 7-挡水圈 Retainer ring
- 8-端盖 Pump cover
- 9-电机 Motor
- 10-轴 Shaft





型谱图 Performance Chart





技术参数 Technical Specification

序号 NO.	型号 Model	流量 Flow(Q)		扬程 Head (m)	效率 Efficiency (%)	转速 Speed (r/min)	功率 Motor Power (kw)	汽蚀 余量 NPSH (r)	重量 Weight (KG)	序号 NO.	型号 Model	流量 Flow(Q)		扬程 Head (m)	效率 Efficiency (%)	转速 Speed (r/min)	功率 Motor Power (kw)	汽蚀 余量 NPSH (m)	重量 Weight (KG)
		m ³ /h	L/S									m ³ /h	L/S						
1	15-80	1.1	0.3	8.5	26	2900	0.18	2.3	17	25	40-200A	4.1	1.14	45	26	2900	3	2.3	64
		1.5	0.42	8	34							5.9	1.64	44	31				
		2	0.55	7	34							7.8	2.17	42	30				
2	20-110	1.8	0.5	16	25	2900	0.37	2.3	25	26	40-200B	3.7	1.03	38	25	2900	2.2	2.3	54
		2.5	0.69	15	34							5.3	1.47	36	29				
		3.3	0.91	13.5	35							7.0	1.94	34.5	28				
3	20-160	1.8	0.5	33	19	2900	0.75	2.3	29	27	40-250	4.4	1.22	82	24	2900	7.5	2.3	108
		2.5	0.69	32	25							6.3	1.75	80	28				
		3.3	0.91	30	23							8.3	2.31	74	28				
4	25-110	2.8	0.78	16	34	2900	0.55	2.3	33	28	40-250A	4.1	1.14	72	24	2900	5.5	2.3	100
		4	1.11	15	42							5.9	1.64	70	28				
		5.2	1.44	13.5	41							7.8	2.17	65	27				
5	25-125	2.8	0.78	20.6	28	2900	0.75	2.3	37	29	40-250B	3.8	1.06	61.5	23	2900	4	2.3	80
		4	1.11	20	36							5.5	1.53	60	27				
		5.2	1.44	18	35							7	1.94	56	26				
6	25-125A	2.5	0.69	17	27	2900	0.55	2.3	37	30	40-100(I)	8.8	2.44	13.2	55	2900	1.1	2.3	36
		3.6	1.0	16	35							12.5	3.47	12.5	62				
		4.6	1.28	14.4	34							16.3	4.53	11.3	60				
7	25-160	2.8	0.78	33	24	2900	1.5	2.3	46	31	40-100(I)A	8	2.22	10.6	54	2900	0.75	2.3	36
		4	1.11	32	32							11	3.05	10	60				
		5.2	1.44	30	33							14.5	4.03	9	58				
8	25-160A	2.6	0.72	29	22	2900	1.1	2.3	42	32	40-125(I)	8.8	2.44	21.2	49	2900	1.5	2.3	40
		3.7	1.03	28	31							12.5	3.47	20	58				
		4.9	1.36	26	29							16.3	4.53	17.8	57				
9	32-100	3.5	0.97	13.5	40	2900	0.55	2.3	37	33	40-125(I)A	8	2.22	17	48	2900	1.1	2.3	35
		4.5	1.25	12.5	47							11	3.05	16	57				
		5.3	1.47	11.3	43							14.5	4.03	14	56				
10	32-100(I)	4.4	1.22	13.2	48	2900	0.75	2	40	34	40-160(I)	8.8	2.44	33	45	2900	3	2.3	58
		6.3	1.75	12.5	54							12.5	3.47	32	52				
		8.3	2.32	11.3	53							16.3	4.53	30	51				
11	32-125	3.5	0.97	22	40	2900	0.75	2.3	40	35	40-160(I)A	8.2	2.28	29	44	2900	2.2	2.3	49
		5	1.39	20	44							11.7	3.25	28	51				
		6.5	1.8	18	42							15.2	4.22	26	50				
12	32-125A	3.1	0.86	17.6	39	2900	0.55	2.3	39	36	40-160(I)B	7.3	2.38	23	38	2900	1.5	2.3	44
		4.5	1.25	16	43							10.4	2.89	22	50				
		5.8	1.61	14.4	41							13.5	3.75	20.5	48				
13	32-160	3.5	0.97	33	30	2900	1.5	2.3	51	37	40-200(I)	8.8	2.44	51.2	38	2900	5.5	2.3	87
		4.5	1.25	32	35							12.5	3.47	50	46				
		6	1.67	30	33							16.3	4.53	48	46				
14	32-160A	3.5	0.97	26.5	29	2900	1.1	2	45	38	40-200(I)A	8.3	2.31	45	37	2900	4	2.3	76
		4.5	1.25	25	34							11.7	3.25	44	45				
		6	1.67	23	32							15.3	4.25	42	45				
15	32-160(I)	4.4	1.22	33.2	34	2900	2.2	2	55	39	40-200(I)B	7.5	2.08	37	36	2900	3	2.3	63
		6.3	1.75	32	40							10.6	2.92	36	44				
		8.3	2.32	30.2	42							13.8	3.83	34	44				
16	32-200	3.5	0.97	51	27	2900	3	2	71	40	40-250(I)	8.8	2.44	81.2	31	2900	11	2.3	148
		4.5	1.25	50	32							12.5	3.47	80	40				
		5.5	1.53	48	30							16.3	4.53	77.5	38				
17	32-200(I)	4.4	1.22	50.5	26	2900	4	2	76	41	40-250(I)A	8.2	2.28	71	30	2900	7.5	2.3	98
		6.3	1.75	50	26							11.6	3.22	70	38				
		8.3	2.32	48	33							15.2	4.22	68	36				
18	32-200A	3.9	1.08	44.6	26	2900	2.2	2	61	42	40-250(I)B	7.6	2.11	61.4	29	2900	5.5	2.3	97
		4	1.11	44	31							10.8	3	60	37				
		4.2	1.17	42.7	29							14	3.89	58	35				
19	40-100	4.4	1.22	13.2	48	2900	0.55	2.3	34	43	40-250(I)C	7.1	1.97	53.2	36	2900	5.5	2.3	88
		6.3	1.75	12.5	54							10.0	2.78	52	36				
		8.3	2.31	11.3	53							13.1	3.64	50.4	36				
20	40-100A	3.9	1.08	10.6	52	2900	0.37	2.3	25	44	50-100	8.8	2.44	13.6	55	2900	1.1	2.3	38
		5.6	1.56	10	45							12.5	3.47	12.5	62				
		7.4	2.06	9	41							16.3	4.53	11.3	60				
21	40-125	4.4	1.22	21	41	2900	1.1	2.3	35	45	40-250(I)C	7.1	1.97	53.2	36	2900	5.5	2.3	88
		6.3	1.75	20	46							10.0	2.78	52	36				
		8.3	2.31	18	43							13.1	3.64	50.4	36				
22	40-125A	3.9	1.08	17.6	40	2900	0.75	2.3	31	46	50-100	8.8	2.44	13.6	55	2900	1.1	2.3	38
		5.6	1.56	16	45							12.5	3.47	12.5	62				
		7.4	2.06	14.4	41							16.3	4.53	11.3	60				
23	40-160B	3.8	1.06	25.5	34	2900	1.1	2.3	38	47	50-100A	8	2.22	11	54	2900	0.75	2.3	37
		5.5	1.53	24	38							11	3.05	10	60				
		7.2	2	22.5	37							14.5	4.03	9	58				
24	40-200	4.4	1.22	51	26	2900	4	2.3	76	48	50-125	8.8	2.44	21.5	49	2900	1.5	2.3	44
		6.3	1.75	50	33							12.5	3.47	20	58				
		8.3	2.31	48	32							16.3	4.53	17.8	57				



序号 NO.	型号 Model	流量 Flow(Q)		扬程 Head (m)	效率 Efficiency (%)	转速 Speed (r/min)	功率 Motor Power (kw)	汽蚀 余量 NPSH (r)	重量 Weight (KG)	序号 NO.	型号 Model	流量 Flow(Q)		扬程 Head (m)	效率 Efficiency (%)	转速 Speed (r/min)	功率 Motor Power (kw)	汽蚀 余量 NPSH (m)	重量 Weight (KG)
		m3/h	L/S									m3/h	L/S						
99	65-200(I)	35 50 65	9.72 13.9 18.1	53.5 50 46	55 69 67	2900	15	3.0	179	126	80-100(I)	70 100 130	19.4 27.8 36.1	13.6 12.5 11	66 76 75	2900	5.5	4.5	110
100	65-200(I)A	32.8 47 61	9.1 13.1 16.9	47 44 40	54 67 66	2900	11	3.0	168	127	80-100(I)A	62.6 89 116	17.4 24.7 32.2	12 10 8.8	64 74 74	2900	4	4.5	88
101	65-200(I)B	30.5 43.5 56.6	8.5 12.1 15.7	40.6 38 33.4	53 65 64	2900	7.5	3.0	115	128	80-125(I)	70 100 130	19.4 27.8 36.1	23.5 20 14	70 76 72	2900	11	4.5	164
102	65-250(I)	35 50 65	9.72 13.9 18.1	83 80 72	52 62 59	2900	22	3.0	238	129	80-125(I)A	62.6 89 116	17.4 24.7 32.2	19 16 11	68 74 65	2900	7.5	4.5	114
103	65-250(I)A	32.5 46.7 61	9.0 13.0 16.9	73 70 63	58 60 58	2900	18.5	3.0	207	130	80-160(I)	70 100 130	19.4 27.8 36.1	36.5 32 24	70 76 75	2900	15	4.5	187
104	65-250(I)B	30 43.3 56	8.3 12 15.6	62 60 54	56 58 57	2900	15	3.0	182	131	80-160(I)A	65.4 93.5 121	18.2 26 33.8	32 28 21	68 74 67	2900	11	4.5	175
105	65-315(I)	35 50 65	9.72 13.9 18.1	128 125 121	44 54 57	2900	37	3.0	353	132	80-160(I)B	60.6 86.6 112	16.8 24.1 31.3	27 24 18	66 72 65	2900	11	4.5	175
106	65-315(I)A	32.5 46.5 60.5	9 12.9 16.8	112.6 110 106.4	43 54 57	2900	30	3.0	336	133	80-200(I)	70 100 130	19.4 27.8 36.1	54 50 42	65 74 73	2900	22	4.0	253
107	65-315(I)B	31 44.5 58	8.6 12.4 16.1	102.5 100 98	53	2900	30	3.0	336	134	80-200(I)A	65.4 93.5 121	18.2 26 33.8	47.5 44 37	64 73 72	2900	18.5	4.0	221
110	65-315(I)C	29 41 53.6	8.1 11.4 14.9	87 85 83	51	2900	22	3.0	273	135	80-200(I)B	61 87 113	16.9 24.2 31.4	41 38 32	62 71 70	2900	15	4.0	200
111	80-100	35 50 65	9.72 13.9 18.1	13.8 12.5 10	67 73 70	2900	3	3.0	65	136	80-250(I)	70 100 130	19.4 27.8 36.1	87 80 68	62 71 78	2900	37	4.0	333
112	80-125A	31.3 45 58	8.7 12.5 16.1	17.5 16 13.6	66 71 69	2900	4	3.0	80	137	80-250(I)A	65.4 93.5 121	18.2 26 33.8	76 70 59.5	61 68 67	2900	30	4.0	315
113	80-160B	30.3 43.3 56.3	8.4 12 15.6	26 24 21	61 69 68	2900	5.5	3.0	99	138	80-250(I)B	61 87 113	16.9 24.2 31.4	65 60 51	60 66 66	2900	30	4.0	271
114	80-200	35 50 65	9.72 13.9 18.1	53.5 50 46	55 69 67	2900	15	3.0	177	139	80-315(I)	70 100 130	19.4 27.8 36.1	132 125 114	55 67 66	2900	75	4.0	680
115	80-200A	32.8 47 61	9.1 13.1 16.9	47 44 40	54 67 66	2900	11	3.0	166	140	80-315(I)A	66.5 95 123	18.5 26.4 34.3	119 113 103	59 65 64	2900	55	4.0	537
116	80-200B	30.5 43.5 56.6	8.5 12.1 15.7	40.6 38 33.4	53 65 64	2900	7.5	3.0	116	141	80-315(I)B	63 90 117	17.5 25 32.5	106.6 101 92	58 65 63	2900	45	4.0	425
117	80-250	35 50 65	9.72 13.9 18.1	83 80 72	52 62 59	2900	22	3.0	245	142	80-315(I)C	58 82 107	16.1 22.8 29.7	90 85 76	56 63 61	2900	37	4.0	370
118	80-250A	32.5 46.7 61	9 13 16.9	73 70 63	51 60 58	2900	18.5	3.0	215	143	100-100	70 100 130	19.4 27.8 36.1	13.6 12.5 11	66 76 75	2900	5.5	4.5	115
119	80-250B	30 43.3 56	8.3 12 15.6	62 60 54	50 58 57	2900	15	3.0	187	144	100-100A	62.6 89 116	17.4 24.7 32.2	11 10 8.8	64 74 74	2900	4	4.5	92
120	80-315	35 50 65	9.72 13.9 18.1	128 125 122	43 54 57	2900	37	3.0	360	145	100-125	70 100 130	19.4 27.8 36.1	23.5 20 14	70 76 65	2900	11	4.5	173
121	80-315A	32.5 46.5 60.5	9 12.9 16.8	112 110 107.4	43 54 57	2900	30	3.0	342	146	100-125A	62.6 89 116	17.4 24.7 32.2	19 16 11	68 74 63	2900	7.5	4.5	120
122	80-315B	31 44.5 58	8.6 12.4 16.1	102.5 100 98	42 53 56	2900	30	3.0	342	147	100-160	70 100 130	19.4 27.8 36.1	36.5 32 24	70 76 65	2900	15	4.5	194
123	80-315C	29 41 53.6	8.1 11.4 14.9	98 85 83	41 51 54	2900	22	3.0	277	148	100-160A	65.4 93.5 121	18.2 26 33.8	32 28 21	68 74 67	2900	11	4.5	182
124	80-350A	30.8 44.0 52.8	8.6 12.2 14.7	138.4 142 134.8	45 51 50	2900	45	3.0	441	149	100-160B	60.6 86.6 112	16.8 24.1 31.3	27 24 18	67 72 65	2900	11	4.5	182
125	80-350B	28 40 46	7.78 11.1 12.8	142 135 128	39 48 46	2900	37	3.0	378	150	100-200	70 100 130	19.4 27.8 36.1	54 50 42	65 75 73	2900	22	4.0	248



序号 NO.	型号 Model	流量 Flow(Q)		扬程 Head (m)	效率 Efficiency (%)	转速 Speed (r/min)	功率 Motor Power (kw)	汽蚀 余量 NPSH (r)	重量 Weight (KG)	序号 NO.	型号 Model	流量 Flow(Q)		扬程 Head (m)	效率 Efficiency (%)	转速 Speed (r/min)	功率 Motor Power (kw)	汽蚀 余量 NPSH (m)	重量 Weight (KG)
		m ³ /h	L/S									m ³ /h	L/S						
151	100-200A	65.4 93.5 121	18.2 26 33.8	47.5 44 37	64 73 72	2900	18.5	4.0	216	176	125-125	96 160 192	26.7 44.4 53.3	22.6 20 17	80	2900	15	4.0	227
152	100-200B	61 87 113	16.9 24.2 31.4	41 38 32	63 71 70	2900	15	4.0	195	177	125-125A	86 143 172	23.9 39.7 47.8	18 16 13.6	77	2900	11	4.0	215
153	100-250	70 100 130	19.4 27.8 36.1	87 80 68	62 71 68	2900	37	4.0	348	178	125-160	96 160 192	26.7 44.4 53.3	36 32 28	78	2900	22	4.0	272
154	100-250A	65.4 93.5 121	18.2 26 23.8	76 70 59.5	61 68 67	2900	30	4.0	332	179	125-160A	90 150 180	25 41.7 50	31.5 28 24.5	76	2900	18.5	4.0	215
155	100-250B	61 87 113	16.9 24.2 31.4	65 60 51	59 66 65	2900	30	4.0	332	180	125-160B	83 138 166	21.7 38.3 46.1	27 24 21	73	2900	15	4.0	182
156	100-315	70 100 130	19.4 27.8 36.1	132 125 114	55 67 66	2900	75	4.0	695	181	125-200	96 160 192	26.7 44.4 53.3	55 50 46	77	2900	37	4.0	386
157	100-315A	66.5 95 123	18.5 26.4 34.3	119 113 103	55 65 64	2900	55	4.0	552	182	125-200A	90 150 180	25 41.7 50	48.4 44 40.5	76	2900	30	4.0	365
158	100-315B	63 90 117	17.5 25 32.5	106 101 92	51 65 63	2900	45	4.0	442	183	125-200B	83 138 166	21.7 38.3 46.1	41.3 37.5 34.5	75	2900	22	4.0	302
159	100-315C	58 82 107	16.1 22.8 29.7	90 85 76	63	2900	37	4.0	385	184	125-250	96 160 192	26.7 44.4 53.3	87 80 73	75	2900	55	4.0	562
160	100-100(I)	96 160 192	26.7 44.4 53.3	14 12.5 10	64 73 70	2900	11	4.0	110	185	125-250A	90 150 180	25 41.7 50	76 70 64	74	2900	45	4.0	457
161	100-125(I)	96 160 192	26.7 44.4 53.3	24 20 14	62 74 69	2900	15	4.0	168	186	125-250B	83 138 166	21.7 38.3 46.1	65 60 55	73	2900	37	4.0	404
162	100-125(I)A	84 140 168	23.3 39 46.7	20 17 12	64 72 68	2900	11	4.0	160	187	125-315	96 160 192	26.7 44.7 53.3	123 125 119	70	2900	90	4.0	756
163	100-160(I)	96 160 192	26.7 44.4 53.3	36 32 27	69 79 75	2900	22	4.0	210	188	125-315A	90 150 180	25 41.7 50	117 110 104	70	2900	75	4.0	651
164	100-160(I)A	84 140 168	23.3 39 46.7	32 28 23.5	66 76 72	2900	18.5	4.0	205	189	125-315B	86 143 172	23.9 39.7 47.8	106 100 95.2	69	2900	75	4.0	646
165	100-200(I)	96 160 192	26.7 44.4 53.3	54 50 46	65 77 78.5	2900	37	4.0	348	190	125-315C	80.5 134 161	22.4 37.2 44.7	96 88 86	67	2900	55	4.0	585
166	100-200(I)A	84 140 168	23.3 39 46.7	47.5 44 40.5	64 76 75	2900	30	4.0	332	191	150-125	96 160 192	26.7 44.4 53.3	22.6 24 17	66 76 76	2900	15	4.0	236
167	100-200(I)B	60 100 120	16.7 27.8 47.5	40 37 34	63 75 75	2900	30	4.0	331	192	150-125A	90 150 180	25 41.7 50	18 16 13.6	77	2900	11	4.0	226
168	100-250(I)	96 160 192	26.7 44.4 53.3	83 80 72	65 77 74	2900	55	4.0	560	193	150-160	96 160 192	26.7 44.4 53.3	35 32 28	72 78 76	2900	22	4.0	294
169	100-250(I)A	84 140 168	23.3 39 46.7	75 72 65	60 72 69	2900	45	4.0	540	194	150-160A	90 150 180	25 41.7 50	31.5 28 24.5	71 76 73	2900	18.5	4.0	252
170	100-250(I)B	60 138 170	16.7 27.8 33.3	68 65 58	64 76 75	2900	37	4.0	520	195	150-160B	84 140 168	23.3 39 46.7	27 24 21	67 73 72	2900	15	4.0	231
171	100-350	60 100 120	16.7 27.8 33.3	153.6 150 142	72 57 74	2900	90	4.0	777	196	150-200	96 160 192	26.7 44.4 53.3	55 50 56	77	2900	37	4.0	410
172	100-350A	61 87 113	16.9 24.2 31.4	145.6 142 134	75	2900	75	4.0	683	197	150-200A	90 150 180	25 41.7 50	48.4 44 40.5	76	2900	30	4.0	385
173	100-350B	58 82 107	16.1 22.8 29.7	138.6 135 127	75	2900	55	4.0	536	198	150-200B	83 138 166	21.7 33.3 46.1	41.3 37.5 34.5	75	2900	22	4.0	315
174	125-100	96 160 192	26.7 44.4 53.3	13 12.5 12	82	2900	11	4.0	185	199	150-250(I)	120 200 240	33.3 55.6 66.7	87 80 72	65 76 74	2900	75	4.0	761
175	125-100A	86 143 172	23.9 39.7 47.8	10.4 10 9.6	77	2900	7.5	4.0	130	200	150-250(I)A	112 187 224	31.1 51.9 62.2	76 70 63	64 75 73	2900	55	4.0	614

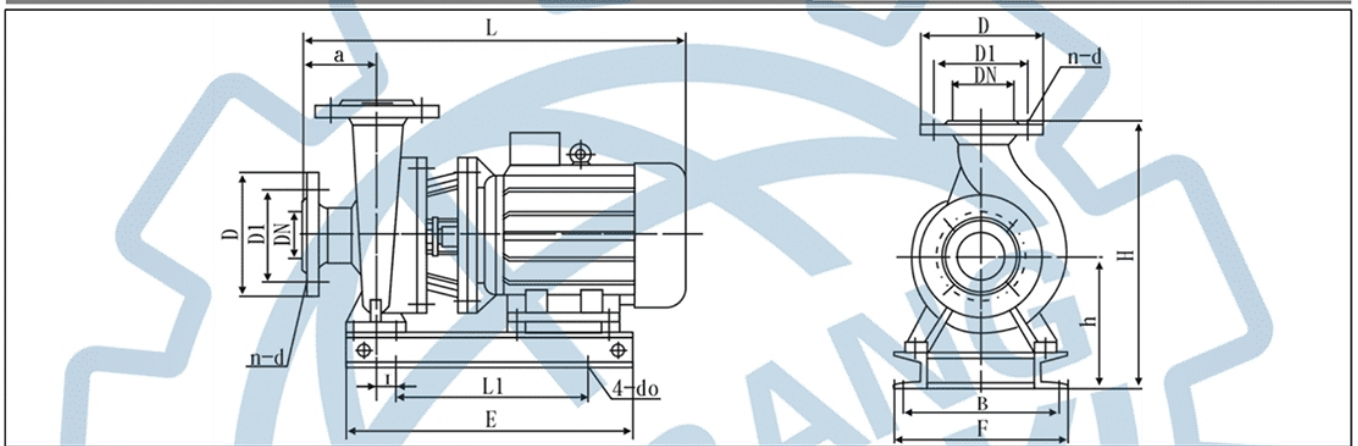


序号 NO.	型号 Model	流量Flow(Q)		扬程 Head (m)	效率 Efficiency (%)	转速 Speed (r/min)	功率 Motor Power (kw)	汽蚀 余量 NPSH (r)	重量 Weight (KG)	序号 NO.	型号 Model	流量Flow(Q)		扬程 Head (m)	效率 Efficiency (%)	转速 Speed (r/min)	功率 Motor Power (kw)	汽蚀 余量 NPSH (m)	重量 Weight (KG)
		m ³ /h	L/S									m ³ /h	L/S						
251	250-250A	300	83.3	18.3	76	1450	37	5.0	550	276	300-380A	444	123.3	41.4	81	980	110	5.0	1725
		500	139	17	80							666	185	38					
		600	166.7	14	80							833	231.4	30					
252	250-235	300	83.3	14	73	1480	22	4.5	410	277	300-380B	400	113.6	35	80	980	90	5.0	1550
		500	139	12.5	78							614	170.6	32					
		600	166.7	11	70							767	213.1	35					
253	250-300	300	83.3	22	78	1480	37	4.5	550	278	300-315	540	150	35	76	1450	90	5.0	1418
		500	139	20	84							720	200	32	84				
		600	166.7	16	80							900	250	25	80				
254	250-315	350	97.2	34	76	1450	75	5.0	915	279	300-315A	460	127.8	31.5	72	1450	75	5.0	1302
		550	152.8	32	80							650	180	28	80				
		650	180.5	28	79							820	222	23.5	77				
255	250-315A	300	83.3	29.5	74	1450	55	5.0	840	280	300-315B	420	116.7	27	71	1450	55	5.0	1155
		500	139	28	78							580	161	24	78				
		600	166.7	24	77							700	194	20	76				
256	250-315B	260	72.2	25	70	1450	45	5.0	695	281	300-400	500	138.9	54.5	80	1450	132	5.5	1760
		450	125	24	74							720	200	50					
		520	144.4	20	72							900	250	42					
257	250-400	400	111.1	54.5	75	1450	110	5.0	1557	282	300-400A	420	127.8	47	78	1450	110	5.5	1550
		550	152.8	50	78							600	180.6	44					
		670	186.7	39	80							780	233.3	37					
258	250-400A	365	101.4	47	74	1450	90	5.0	1055	283	300-460	480	133.3	71	75	1450	185	5.5	2250
		500	138.9	44	77							720	200	65	81				
		600	166.7	35	79							900	250	58	82				
259	250-400B	325	90.3	41.2	73	1450	75	5.0	910	284	300-460A	444	123.3	60	74	1450	160	5.5	1780
		450	125	38	76							666	185	55	80				
		530	147.2	34.2	78							833	231.4	49	81				
260	250-480	400	111.1	76	75	1450	160	5.0	1545	285	300-460B	409	113.6	49	73	1450	110	5.5	1680
		550	152.8	70	76							614	170.6	45	79				
		670	186.7	63	78							767	213.1	35	80				
261	250-480B	325	90.3	55	73	1450	90	5.0	1055	286	300-500	540	150	85	78	1450	250	5.5	1680
		450	125	50	74							720	200	80	80				
		530	147.2	42	74							900	250	70	78				
262	300-235	540	150	20.5	77	1450	55	5.0	1135	287	300-500A	506	140.6	74.4	77	1450	200	5.5	1665
		720	200	18	81							675	187.5	70	79				
		900	250	15.5	74							720	200	61.2	77				
263	300-235A	450	125	17.2	74	1450	45	5.0	1040	288	300-500B	468	130	63.8	76	1450	160	5.5	1472
		600	166	15	79							625	173.6	60	78				
		720	200	12.5	77							667	185.3	52.5	76				
264	300-235B	420	116.7	14.3	73	1450	37	5.0	900	289	300-500C	425	118	53.2	75	1450	110	5.5	1345
		540	150	12.8	78							570	158.3	50	77				
		650	180	10.5	70							605	168	43.8	75				
265	300-250	540	150	22.5	80	1450	55	5.0	1370	290	300-235(I)	718	199.4	44.6	82	1450	160	5.5	1680
		720	200	20	83							1080	300	40					
		900	250	17	84							1345	373.6	34.6					
266	300-250A	450	136	19.5	81	1450	45	5.0	1190	291	300-235(I)A	642	178.3	35.7	80	1450	132	5.5	1450
		600	166	17	81							965	268.1	32					
		720	200	14	77							1203	334.2	27.7					
267	300-300	540	150	32	82	1450	75	5.0	1930	292	350-250	480	133.3	23	79	1450	75	5.0	1292
		720	200	28	82							800	222	20	82				
		900	250	23	81							960	267	17.5	81				
268	300-300A	450	125	27.5	80	1450	75	5.0	1725	293	350-250A	430	119.4	18.5	81	1450	75	5.0	1230
		600	166	24	80							715	198.6	16					
		720	200	20	77							860	238.9	13					
269	300-300B	420	116.7	24	78	1450	55	5.0	1550	294	350-315	480	133.3	35	75	1450	90	5.0	1733
		540	150	21	81							800	222	32	81				
		650	181	17	77							960	267	27	80				
270	300-235	480	133.3	20	77	980	55	5.0	1335	295	350-315A	450	125	30.5	80	1450	75	5.0	1350
		720	200	18	81							748	207.8	28					
		900	250	15.5	74							900	250	23.5					
271	300-235A	438	121.7	16.5	75	980	45	5.0	1040	296	350-315B	416	115.6	26	78	1450	75	5.0	1350
		607	182.5	15	79							692	192.2	24					
		821	228.1	13	72							832	231.1	20					
272	300-300	480	133.3	31	77	980	75	5.0	1370	297	350-400	480	133.3	55	76	1450	160	5.0	2048
		720	200	28	81							800	222	50	82				
		900	250	25	77							960	267	45.5	80				
273	300-300A	444	123.3	26.5	76	980	75	5.0	1370	298	350-400A	450	125	48	80	1450	132	5.0	1950
		666	185	24	80							748	207.8	44					
		833	231.4	21.5	76							900	250	40					
274	300-300B	415	115.3	23	79	980	55	5.0	1190	299	350-400B	418	116.1	42	78	1450	110	5.0	1920
		623	173.1	21	79							697	193.6	38					
		779	216.4	18.5	76							836	232.2	34.5					
275	300-380	480	133.3	48	84	980	132	5.0	1930	300	350-460	1000	277.8	55	74	1450	250	6.0	2350
		720	200	44	84							1200	333.3	50					
		900	250	34	82							1450	402.8	43					

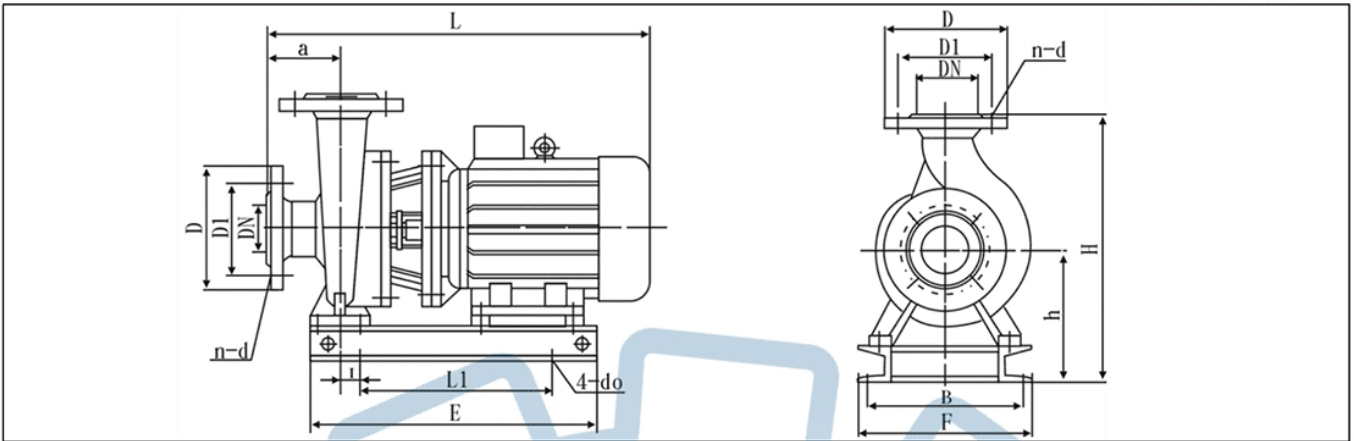


序号 NO.	型号 Model	流量Flow(Q)		扬程 Head (m)	效率 Efficiency (%)	转速 Speed (r/min)	功率 Motor Power (kw)	汽蚀 余量 NPSH (r)	重量 Weight (KG)	序号 NO.	型号 Model	流量Flow(Q)		扬程 Head (m)	效率 Efficiency (%)	转速 Speed (r/min)	功率 Motor Power (kw)	汽蚀 余量 NPSH (m)	重量 Weight (KG)
		m ³ /h	L/S									m ³ /h	L/S						
301	350-460A	900	250	47	72	1450	200	6.0	2100	305	400-300	820	228	23	72	1450	90	5.5	1649
		1080	300	44								78	20	78					
		1300	360	39								75	16	75					
302	350-480	610	169.4	71	75	1450	220	5.5	2100	306	400-315	820	228	36.5	71	1450	132	5.5	1974
		850	236.1	65	81							32	76						
		1020	283.3	58	79							27	74						
303	350-480A	574	159.4	65	75	1450	200	5.5	2350	307	500-300	1000	277.8	23	76	1450	110	5.5	1890
		800	222	60	80							20	78						
		960	266.7	53	79							16	77						
304	350-480B	516	143.3	60	72	1450	160	5.5	2250	308	500-315	1000	278	34.5	76	1450	160	5.5	2174
		720	200	55	78							32	78						
		864	240	45	75							27	77						

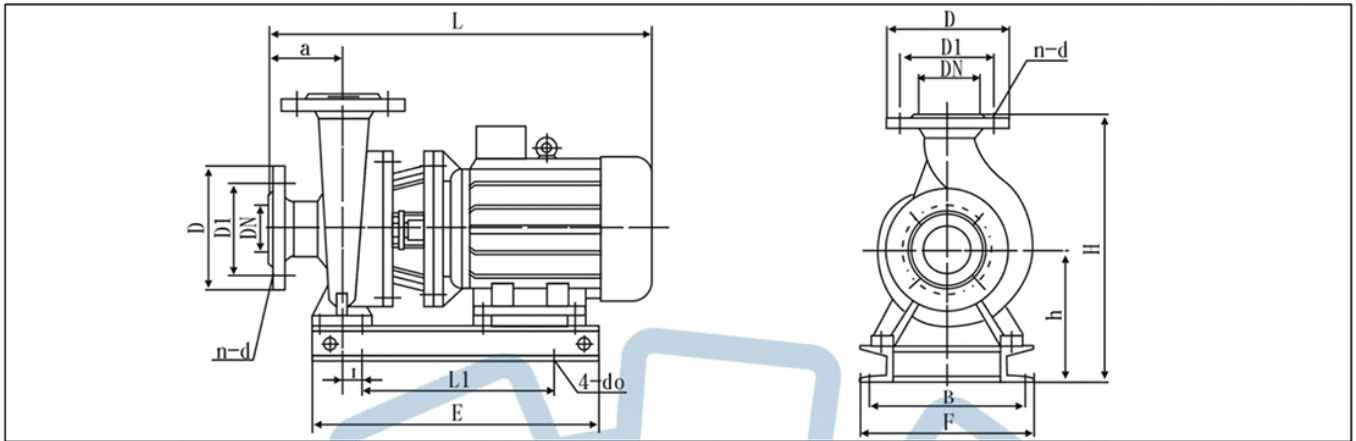
外形安装尺寸 Outline Dimension



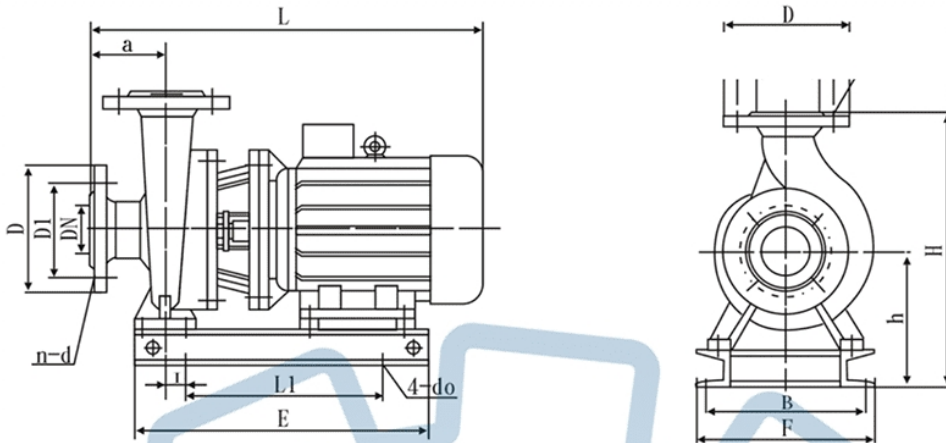
型号	外形尺寸				安装尺寸						进出口法兰尺寸				
	L	H	E	F	a	h	LI	B	I	4-do	DN	D	DI	n-d	
25-110	450	334	440	450	80	194	250	310	8	Φ16	Φ25	Φ115	Φ85	4-Φ14	
25-125	450	334	440	450	80	194	250	310	8						
25-125A	450	334	440	450	80	194	250	310	8						
25-160	480	355	490	390	85	210	270	340	8						
25-16A	460	355	440	450	85	210	250	340	8						
32-100	420	336	440	450	90	194	250	310	8	Φ16	Φ32	Φ140	Φ100	4-Φ14	
32-125	445	336	440	450	90	194	250	310	8						
32-125A	445	336	440	450	90	194	250	310	8						
32-160	470	370	490	390	95	210	270	340	8						
32-160A	470	370	490	390	95	210	270	340	8						
32-160(1)	470	336	490	390	85	194	270	340	8						
32-200	540	412	500	390	90	242	285	340	8						
32-200A	455	412	490	390	90	242	270	340	8						
32-200(1)	540	412	490	390	90	285	270	340	8	Φ16	Φ40	Φ150	Φ110	4-Φ18	
40-100	442	306	440	450	80	181	250	310	11						
40-100A	442	306	440	450	80	181	250	310	11						
40-125	442	332	440	450	80	192	250	310	11						
40-125A	442	332	440	450	80	192	250	310	11						
40-160	490	374	490	390	85	214	270	340	7						
40-160A	470	374	490	390	85	214	270	340	15						
40-160B	440	374	440	450	85	214	250	310	11						
40-200	560	414	500	390	90	242	285	340	19						



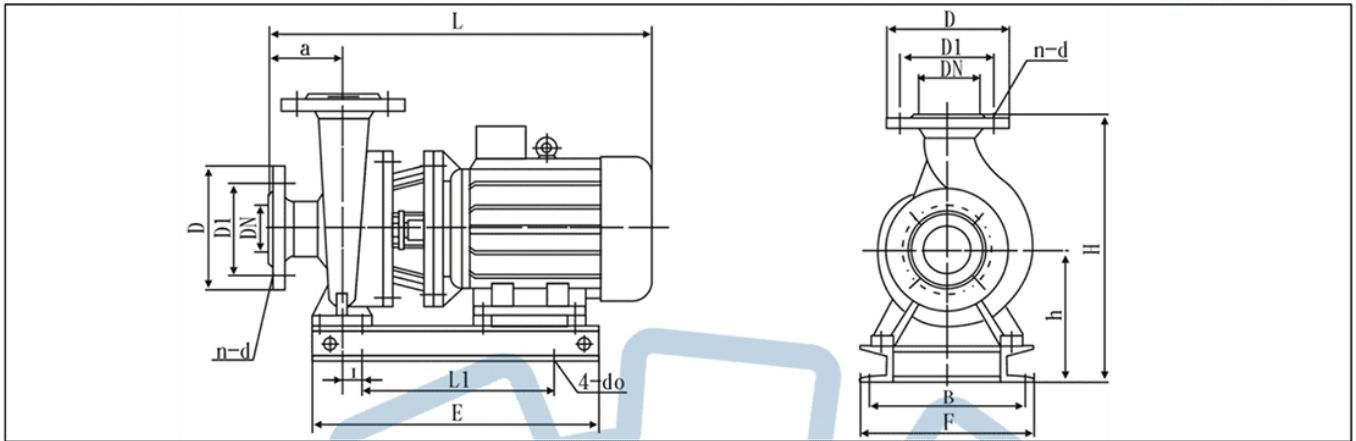
型号 Model	外形尺寸				安装尺寸						进出口法兰尺寸			
	L	H	E	F	a	h	L1	B	I	4-do	DN	D	DI	n-d
40-200A	530	414	500	390	90	242	285	340	15	Φ16	Φ40	Φ150	Φ110	4-Φ18
40-200B	510	414	490	390	90	242	270	340	7					
40-250	610	486	500	450	90	280	350	390	12					
40-250A	610	486	500	450	90	280	350	390	12	Φ18				
40-250B	550	472	500	450	90	260	350	390	5					
40-100(1)	450	322	440	450	80	180	250	310	10	Φ16				
40-100(1)A	450	322	440	450	80	180	250	310	10					
40-125(1)	470	345	450	360	80	190	250	310	16					
40-125 (I) A	445	345	440	450	80	190	250	310	16					
40-160(1)	540	375	490	390	85	210	270	340	15					
40-160 (I)A	540	375	490	390	85	210	270	340	7					
40-160(I)B	525	375	490	390	85	210	270	340	7					
40-200(1)	610	440	590	450	85	260	350	390	26					
40-200 (I)A	550	420	500	390	85	240	285	340	21	Φ18				
40-200(I)B	530	420	500	390	85	240	285	340	17					
40-250(1)	750	505	670	460	100	280	400	410	15					
40-250(I)A	650	505	590	450	100	280	350	390	18					
40-250(I) B	505	505	590	450	100	280	350	390	18					
50-100	440	332	440	450	80	192	250	310	10		Φ16			
50-100A	440	332	440	450	80	192	250	310	10					
50-125	470	340	450	360	80	190	250	310	16	Φ18				
50-125A	455	340	440	450	80	190	250	310	16					
50-160	525	377	490	390	80	210	270	340	15	Φ18				
50-160A	485	377	490	390	80	210	270	340	7					
50-160B	460	377	490	390	80	210	270	340	5					
50-200	610	446	550	390	80	265	340	350	26					
50-200A	550	422	500	390	80	245	285	340	21					
50-200B	532	422	500	390	80	245	285	340	17					
50-250	760	501	670	490	100	280	400	430	15					
50-250A	650	501	550	400	100	280	340	350	18					
50-250B	650	501	550	400	100	280	340	350	18					
50-100(1)	470	352	450	360	80	195	250	310	15					



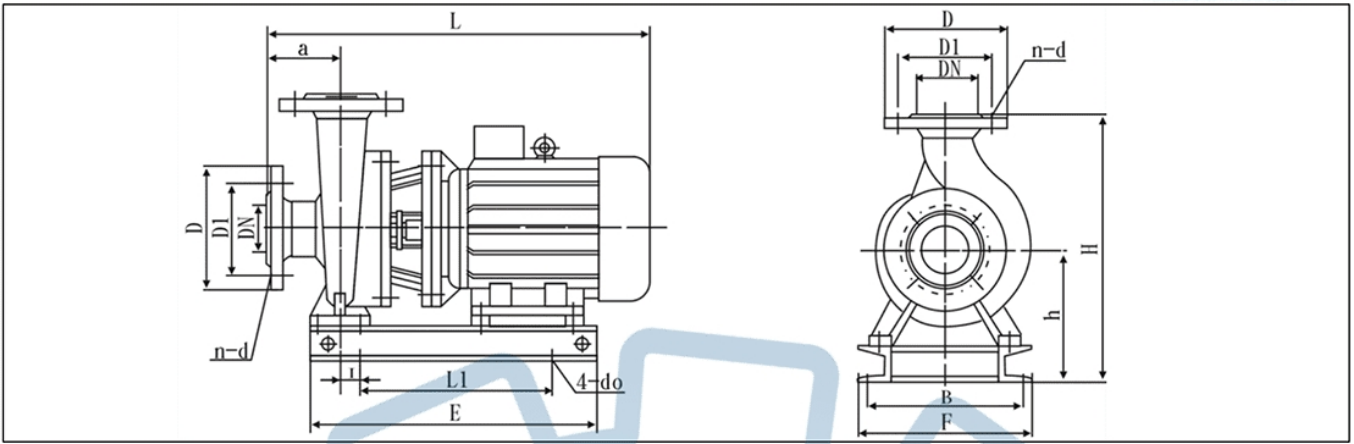
型号	外形尺寸				安装尺寸					进出口法兰尺寸				
	L	H	E	F	a	h	L1	B	l	4-do	DN	D	D1	n-d
50-100(1)A	450	352	440	450	80	195	250	310	11	Φ18	Φ50	Φ165	Φ125	4-Φ18
50-125(1)	540	356	480	360	90	188	290	300	18					
50-125 (I) A	513	362	450	360	90	195	250	310	11					
50-160(1)	552	400	500	390	100	215	285	340	22					
50-160 (I) A	532	400	500	390	100	215	285	340	17					
50-160 (I) B	502	400	490	390	100	265	270	340	14					
50-200(1)	630	456	550	390	100	265	340	350	0					
50-200 (I) A	630	456	550	390	100	265	340	350	0					
50-200 (I)B	630	456	550	390	100	265	340	350	0					
50-250(1)	745	526	670	490	100	286	410	430	14					
50-250 (I) A	745	526	670	490	100	286	410	430	14					
50-250 (I)B	745	526	670	490	100	286	410	430	14					
50-315(1)	950	592	680	410	105	325	500	370	12					
50-315 (I) A	845	592	610	410	105	325	500	370	12					
50-315 (I) B	825	592	610	410	105	325	500	370	12					
65-100	465	352	450	360	85	195	250	310	15					
65-100A	440	352	440	450	85	195	250	310	11					
65-125	523	356	480	360	85	188	290	300	18					
65-125A	493	372	490	390	85	195	270	340	11					
65-160	552	395	500	390	100	214	285	340	22					
65-160A	552	395	500	390	100	214	285	340	17					
65-160B	532	395	490	390	100	214	270	340	14					
65-200	630	456	550	390	100	265	340	350	0					
65-200A	630	456	550	390	100	265	340	350	0					
65-200B	630	456	550	390	100	265	340	350	0					
65-250	745	526	670	490	100	296	400	430	14					
65-250A	745	526	670	490	100	296	400	430	14					
65-250B	745	526	670	490	100	296	400	430	14					
65-315	950	596	700	410	105	325	500	370	12					
65-315A	845	582	610	410	105	325	500	370	12					
65-315B	825	582	610	410	105	325	500	370	12					
65-100(1)	545	376	490	390	100	216	270	340	18					



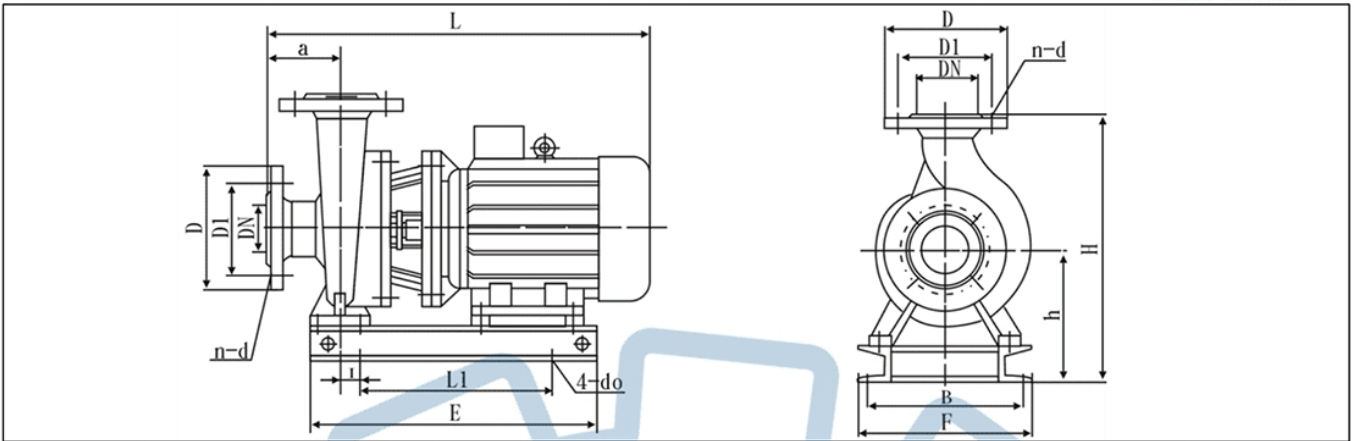
型号	外形尺寸				安装尺寸					进出口法兰尺寸				
	L	H	E	F	a	h	L1	B	l	4-do	DN	D	D1	n-d
65-100(1)A	505	376	490	390	100	216	270	340	11	Φ18	Φ65	Φ185	Φ145	4-Φ18
65-125(1)	630	436	550	400	105	232	340	350	27					
65-125(I)A	570	422	500	390	105	212	285	340	22					
65-160(1)	640	465	550	400	100	265	270	340	10					
65-160(I)A	640	465	550	400	100	265	270	340	10					
65-160(I)B	640	465	550	400	100	265	340	350	10					
65-200(1)	748	486	670	460	100	276	400	410	24					
65-200(I)A	748	486	670	460	100	276	400	410	24					
65-200(I)B	638	486	550	400	100	276	340	350	25					
65-250(1)	830	546	670	490	125	296	400	430	21					
65-250(I)A	810	546	670	490	125	296	400	430	19					
65-250(I)B	765	546	670	490	125	296	400	430	19					
65-315(1)	1040	560	720	350	125	325	600	310	30	Φ18	Φ65	Φ185	Φ145	4-Φ18
65-315(I)A	935	560	700	350	125	325	600	310	30					
65-315(I)B	890	560	650	350	125	325	500	310	30					
80-100	545	412	480	360	100	212	290	300	18	Φ18	Φ80	Φ200	Φ160	8-Φ18
80-100A	505	412	490	390	100	212	270	340	11					
80-125	630	446	550	400	95	242	340	350	27					
80-125A	567	422	500	390	95	224	270	340	22					
80-160	640	466	550	400	100	260	340	350	10					
80-160A	640	466	550	400	100	260	340	350	10					
80-160B	640	466	550	400	100	260	340	350	10					
80-200	748	486	670	490	100	276	400	410	24					
80-200A	748	486	670	490	100	276	400	410	24					
80-200B	638	486	550	400	100	276	340	350	25					
80-250	830	546	730	560	125	296	450	470	21					
80-250A	810	546	670	490	125	296	400	430	19					
80-250B	765	546	670	460	125	296	400	410	19					
80-315	957	640	720	410	135	345	540	370	5					
80-315A	957	640	720	410	135	345	540	370	5					
80-315B	957	640	720	410	135	325	540	370	5					
80-315C	852	640	600	410	135	340	460	370	6					



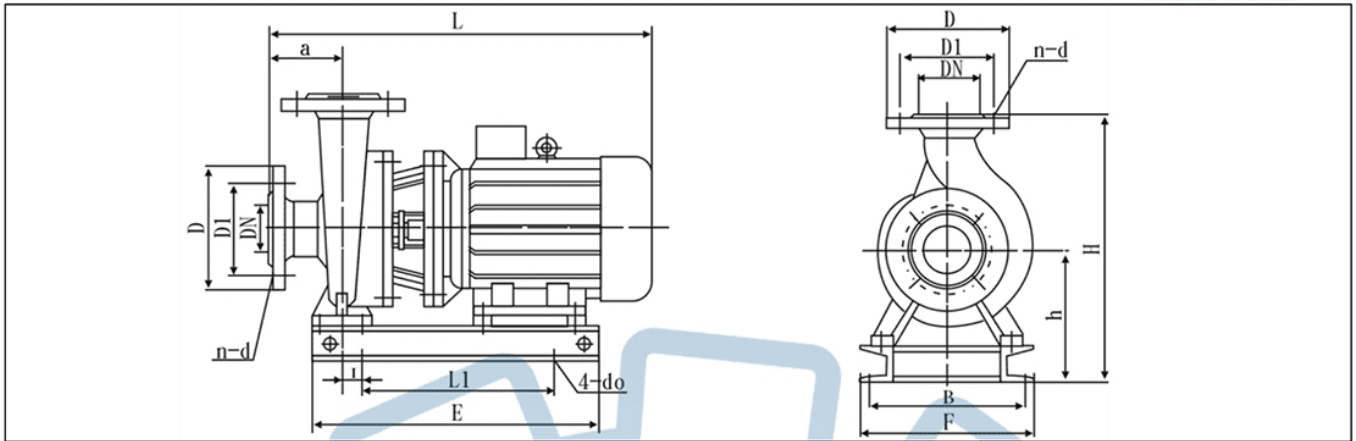
型号	外形尺寸				安装尺寸						进出口法兰尺寸			
	L	H	E	F	a	h	L1	B	I	4-do	DN	D	D1	n-d
80-350	957	686	720	410	135	370	540	370	5	Φ18	Φ80	Φ200	Φ160	8-Φ18
80-350A	957	686	720	410	135	370	540	370	5					
80-350B	957	686	720	410	135	370	540	370	5					
80-100(1)	640	491	500	400	105	266	340	350	20	Φ18	Φ80	Φ200	Φ160	8-Φ18
80-100(I)A	580	491	500	390	105	266	285	340	20					
80-125(1)	760	481	670	490	105	276	400	410	15					
80-125(I)A	660	491	550	400	105	276	340	350	20					
80-160(1)	750	524	670	490	110	276	400	410	17					
80-160(I)A	750	524	670	490	110	276	400	410	17					
80-160 (I)B	750	524	550	400	110	276	340	350	17					
80-200(1)	820	506	730	560	100	286	450	470	23					
80-200 (I) A	800	506	670	530	100	265	400	430	23					
80-200 (I)B	760	506	670	490	100	265	400	430	19					
80-250(1)	940	600	715	410	125	321	520	370	12	Φ22	Φ80	Φ200	Φ160	8-Φ18
80-250 (I) A	940	600	715	410	125	321	520	370	12					
80-250 (I)B	940	600	715	410	125	321	520	370	12					
80-315(1)	1149	746	910	410	130	450	660	370	30					
80-315 (I) A	1149	760	840	410	130	375	640	370	5					
80-315 (I) B	1149	676	770	410	130	350	560	370	11					
80-315 (I) C	1109	676	735	410	130	350	540	370	0					
100-100	650	491	500	400	105	266	340	350	20	Φ18	Φ100	Φ220	Φ180	8-Φ18
100-100A	650	491	500	390	105	266	285	340	20					
100-125	760	491	670	490	105	276	400	410	15					
100-125A	660	491	550	400	105	276	340	350	20					
100-160	750	524	670	490	110	276	400	410	17					
100-160A	750	524	670	490	110	276	400	410	17					
100-160B	750	524	670	490	110	276	400	410	17					
100-200	820	526	730	560	100	296	450	470	23					
100-200A	800	526	670	530	100	296	400	430	23					
100-200B	760	526	670	490	100	296	400	410	19					
100-250	940	600	715	410	125	321	520	370	12	Φ22	Φ100	Φ220	Φ180	8-Φ18
100-250A	940	600	715	410	125	346	520	370	12					



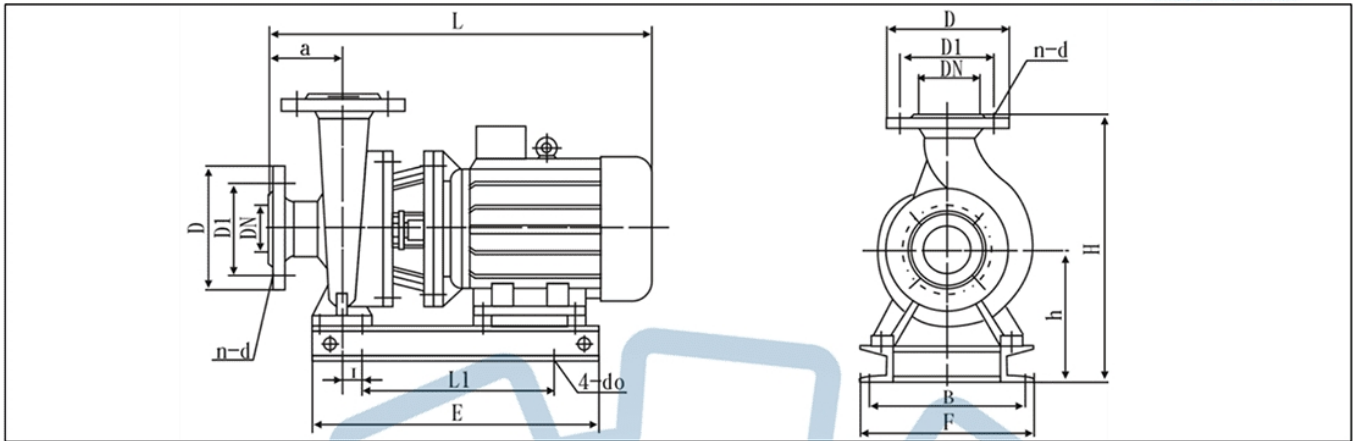
型号	外形尺寸				安装尺寸						进出口法兰尺寸								
	L	H	E	F	a	h	L1	B	I	4-do	DN	D	D1	n-d					
100-250B	940	600	715	410	125	346	520	370	12	Φ22	Φ100	Φ220	Φ180	8-Φ18					
100-315	1149	746	910	500	130	450	660	460	30										
100-315A	1149	700	840	450	130	375	640	410	5										
100-315B	1149	676	770	410	130	350	560	370	11										
100-350	1210	790	960	500	130	420	700	460	30										
100-350A	1665	790	900	500	130	420	660	460	30										
100-350B	1090	765	830	450	130	396	600	410	30										
100-100(1)	740	491	560	335	105	276	400	295	20						Φ18	Φ100	Φ220	Φ180	8-Φ18
100-125(1)	740	491	560	335	105	276	400	295	20										
100-125(I)A	740	491	560	335	105	276	400	295	20										
100-160(1)	850	546	620	360	105	296	440	320	23										
100-160(I)A	830	546	620	360	105	296	440	385	23						Φ22	Φ100	Φ220	Φ180	8-Φ18
100-200(1)	940	576	715	410	125	326	520	370	12										
100-200(I)A	940	576	715	410	125	326	520	320	12										
100-200(I)B	875	616	700	360	125	326	500	320	12										
100-250(1)	1140	690	850	450	125	390	660	410	15										
100-250(I)A	1070	666	770	410	125	366	660	370	15										
100-250(I)B	1000	620	750	410	125	320	660	370	15										
125-100	783	526	575	330	125	266	420	295	7	Φ22	Φ125	Φ250	Φ210	8-Φ18					
125-100A	683	526	485	330	125	266	320	295	12										
125-125	783	554	575	330	125	266	420	295	7						Φ19	Φ125	Φ250	Φ210	8-Φ18
125-125A	783	554	575	330	125	266	420	295	7										
125-160	848	554	620	360	125	296	440	320	21	Φ19	Φ125	Φ250	Φ210	8-Φ18					
125-160A	828	554	620	360	125	296	440	320	19										
125-160B	783	554	575	360	125	296	420	320	7										
125-200	936	600	720	410	125	320	500	370	6										
125-200A	936	600	720	410	125	320	500	370	6										
125-200B	831	586	645	370	125	306	500	330	7										
125-250	1143	690	850	450	150	390	500	410	5										
125-250A	1070	660	740	410	150	345	500	370	10										
125-250B	1000	620	740	410	150	320	500	370	7										
125-315	1205	746	960	500	145	420	600	460	25										



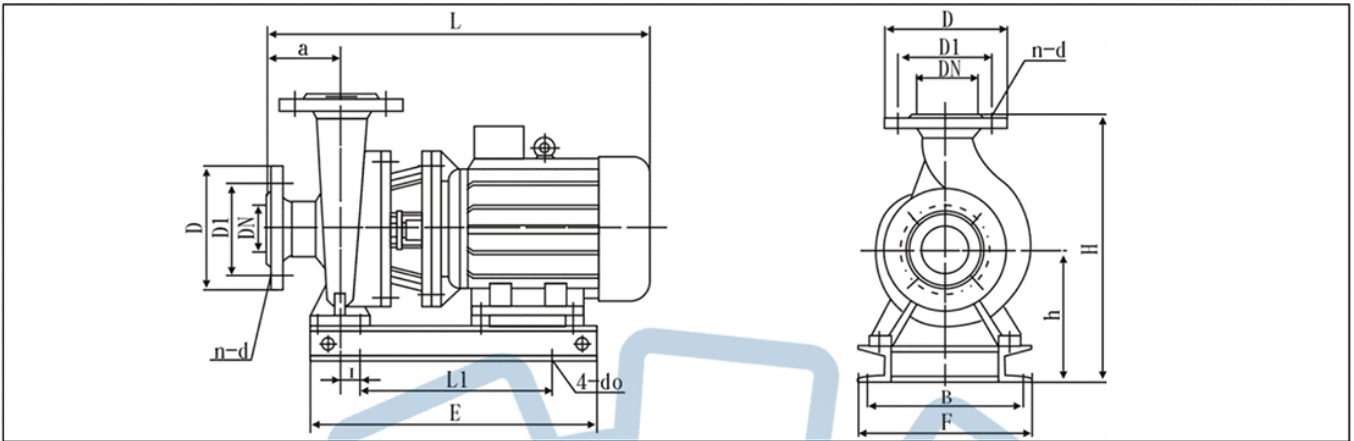
型号	外形尺寸				安装尺寸					进出口法兰尺寸				
	L	H	E	F	a	h	L1	B	I	4-do	DN	D	DI	n-d
125-315A	1155	746	900	500	145	420	600	460	30	Φ19	Φ125	Φ250	Φ210	8-Φ18
125-315B	1155	746	900	450	145	420	600	410	30					
150-125	783	525	575	330	125	266	420	295	7					
150-125A	783	525	575	330	125	266	420	295	7					
150-160	848	554	620	360	125	296	440	320	21					
150-160A	828	554	620	330	125	296	440	295	19					
150-160B	783	554	575	330	125	296	420	295	7					
150-200	936	616	720	370	115	346	540	330	6					
150-200A	936	616	720	370	115	346	540	330	6					
150-200B	831	586	645	370	115	316	460	330	7					
150-250	1165	750	890	450	145	396	680	410	20					
150-250A	1095	720	820	410	145	396	640	370	5					
150-250B	1010	695	750	410	145	396	540	370	21					
150-315	965	778	750	510	140	444	600	470	15					
150-315A	935	778	750	510	140	426	600	470	15					
150-315B	1155	806	720	510	135	426	600	470	10					
150-350	1205	746	940	410	135	396	720	370	25	Φ22	Φ150	Φ285	Φ240	8-Φ22
150-350A	1205	746	940	410	135	396	720	370	25					
150-350B	1205	746	940	410	135	396	720	370	25					
150-200	845	696	640	410	145	366	440	370	12					
150-200A	845	696	640	410	145	366	440	370	12					
150-250	865	715	650	410	145	366	440	370	12					
150-250A	845	715	640	410	145	366	440	370	16					
150-250B	800	715	600	410	145	366	400	370	15					
150-315	960	806	745	510	135	426	600	470	8					
150-315A	865	780	720	510	135	406	600	470	22					
150-315B	865	780	680	510	135	406	400	470	22					
150-400	1020	866	780	510	155	461	600	470	11					
150-400A	980	866	760	510	155	461	600	470	10					
150-400B	980	866	760	510	155	461	600	470	8					
150-400C	875	846	720	510	155	430	500	470	8					
200-200	845	696	720	410	145	366	440	370	16	Φ22	Φ200	Φ340	Φ295	12-Φ22



型号	外形尺寸				安装尺寸					进出口法兰尺寸				
	L	H	E	F	a	h	L1	B	I	4-do	DN	D	D1	n-d
200-200A	845	696	720	410	145	366	440	370	16	Φ22	Φ200	Φ340	Φ295	12-Φ22
200-250	905	746	690	410	185	376	460	370	12					
200-250A	885	746	650	410	185	376	460	370	16					
200-250B	840	746	600	410	185	376	460	370	15					
200-315	980	816	745	510	165	426	600	470	8					
200-315A	925	816	720	510	165	426	600	470	8					
200-315B	900	791	680	510	165	406	500	470	22					
200-400	1020	886	780	510	155	461	600	470	11					
200-400A	980	886	750	510	155	461	600	470	10					
200-400B	980	886	745	510	155	461	600	470	8					
200-400C	875	866	705	510	155	436	480	470	8					
200-200(I)	925	796	720	510	150	406	500	470	5					
200-200(I)A	885	796	680	510	150	406	440	470	16					
200-250 (I)	990	826	760	510	164	426	520	470	8					
200-250(I)A	885	806	720	510	164	406	480	470	8					
200-250 (I)B	865	806	680	510	164	406	420	470	12					
200-315(I)	1150	880	870	560	152	461	620	520	12					
200-315 (I)A	1060	880	790	560	152	461	600	520	8					
200-315 (I)B	1040	880	770	560	152	461	520	520	8					
200-400 (I)	1255	896	1000	560	145	461	760	520	15					
200-400 (I)A	1190	896	935	560	145	461	700	520	12					
200-400 (I)B	1120	896	865	560	145	461	640	520	8					
200-400 (I)C	1035	896	795	560	145	461	580	520	3					
200-500(I)	1345	1116	1140	720	145	536	800	680	5					
200-500 (I)A	1265	1116	1065	720	145	536	760	680	5					
200-500 (I)B	1180	1096	1020	720	145	516	760	680	5					
200-500 (I)C	1180	1096	995	720	145	516	760	680	5					
250-250	1110	906	820	510	210	461	580	470	8					
250-250A	1085	906	800	510	210	461	580	470	8					
250-315	1290	975	950	600	225	476	700	560	12					
250-315A	1220	920	900	600	225	476	640	560	12					
250-315B	1105	875	860	600	225	476	580	560	12					



型号	外形尺寸				安装尺寸					进出口法兰尺寸				
	L	H	E	F	a	h	L1	B	l	4-do	DN	D	D1	n-d
250-400	1300	1030	1070	630	200	496	760	590	15	Φ22	Φ250	Φ405	Φ355	12-Φ26
250-400A	1220	1010	1020	630	200	476	680	590	12					
250-400B	1220	1000	980	630	200	476	680	590	12					
250-480	2200	1164	1155	660	215	564	860	620	18					
250-480A	1600	1164	1130	660	215	564	860	620	5					
250-480B	1510	1164	1060	660	215	564	780	620	10					
300-235	1280	1150	1050	710	280	560	740	670	16	Φ22	Φ300	Φ460	Φ410	12-Φ26
300-235A	1160	1150	850	710	280	560	680	670	16					
300-235B	1160	970	930	670	245	460	700	620	30					
300-250	1340	995	1050	670	245	480	900	620	30					
300-250A	1270	970	995	670	245	480	700	620	30					
300-300	1340	1075	1080	720	260	560	700	680	20					
300-300A	1270	1045	980	720	260	560	680	680	22					
300-300B	1155	1000	900	690	260	560	640	680	20					
300-380	1780	1320	1450	810	260	585	1150	770	25					
300-380A	1780	1320	1450	810	260	585	1150	770	25					
300-380B	1720	1170	1300	810	260	580	1000	770	25					
300-315	1380	1090	1160	610	260	400	840	570	16					
300-315A	1330	1025	1100	610	260	400	800	570	16					
300-315B	1255	1025	1050	690	260	370	740	570	20					
300-400	1570	1164	1090	660	280	549	780	620	25					
300-400A	1470	1164	1050	660	280	549	780	620	25					
300-460	1770	1180	1300	660	280	530	1000	620	25					
300-460A	1770	1180	1300	660	280	530	1000	620	25					
300-460B	1450	1180	1300	660	280	530	1000	620	25					
300-500	1668	1225	1400	880	280	475	1200	840	12	Φ22	Φ350	Φ520	Φ470	12-Φ26
300-500A	1555	1225	1350	880	280	475	1160	840	12					
300-500B	1478	1180	1350	880	280	425	1160	840	12					
300-500C	1356	1088	1220	880	280	425	1000	840	12					
300-235(1)	1680	1230	1400	660	280	460	1150	620	20					
300-235(1)A	1680	1230	1400	660	280	460	1150	620	20					
350-250	1350	1020	1100	690	280	370	800	650	20					



型号	外形尺寸				安装尺寸					进出口法兰尺寸				
	L	H	E	F	a	h	L1	B	l	4-do	DN	D	D1	n-d
350-250A	1280	1020	1000	690	280	370	700	650	20	Φ22	Φ350	Φ520	Φ470	12-Φ26
350-315	1400	1050	1090	690	280	400	840	650	20					
350-315A	1320	1050	1050	690	280	400	800	650	20					
350-315B	1320	1050	1050	690	280	400	800	650	20					
350-400	1510	1210	1195	660	280	549	880	620	20					
350-400A	1450	1210	1175	660	280	549	800	620	20					
350-400B	1400	1210	1100	660	280	549	750	620	20					
350-460	1720	1250	1400	880	280	480	1100	840	25					
350-460A	1720	1250	1400	880	280	480	1100	840	25					
350-480	1720	1250	1400	880	280	480	1100	840	25					
350-480A	1680	1250	1400	880	280	480	1100	840	25					
350-480B	1560	1250	1300	880	280	480	1050	840	20					
400-250	1450	1080	1180	750	320	465	850	650	20					
400-315	1720	1110	1420	840	320	540	1100	800	20					
500-250	1700	1160	1400	880	380	540	1100	840	20	Φ26	Φ500	Φ715	Φ650	20-Φ30
500-315	1750	1160	1400	880	380	540	1100	840	20					

易损件清单List of vulnerable parts

电机功率 Motor Power	机械密封规格 Mechanical Seal	轴承规格 Bearing	电机功率 Motor Power	机械密封规格 Mechanical Seal	轴承规格 Bearing
0.18kW; 0.12kW;	WM104-12	201	30kW(2极); 37kW(2极);	KM109-45	46312、312Z1
0.25kW; 0.37kW;	WM104-14	202	30kW(4极);	KM109-45	46312、312Z1
0.55kW; 0.75kW; 1.1kW(2);	WM148-18	46204、180204Z1	37kW(4); 45kW;	KM109-45	46312、313Z1
电机功率 Motor Power	机械密封规格 Mechanical Seal	轴承规格 Bearing	电机功率 Motor Power	机械密封规格 Mechanical Seal	轴承规格 Bearing
1.1kW(4); 1.5kW;	WM148-20	46205、180205Z1	55kW; 75kW(2); 90kW(2); 37kW(6);	KM109-55	46314、314Z1
2.2kW(2)	WM148-20	46205、180205Z1	75kW(4);	KM109-55	46317、317Z1
302kW(4); 3kW;	WM109-25	46206、180206Z1	45kW(6); 55kW(6);	KM109-55	46317、317Z1
4kW;	WM109-25	46306、180306Z1	110kW(2);	KM109-55	46316、316Z1
5.5kW; 7.5kW;	WM109-25	46308、180308Z1	75kW(6); 90kW(4); 110kW(4);	KM109-60	46319、319Z1
11kW(4); 15kW; 18.5kW(2); 11kW; 15kW;	WM109-35 WM109-40	46309、309Z1	90kW(6); 110kW(6); 132kW(6); 160kW(4); 132kW(4);	KM109-65	
22kW(2极);	WM109-35	46311、311Z1	18.5kW(4极); 22kW(4极);	WM109-45	46311、311Z1