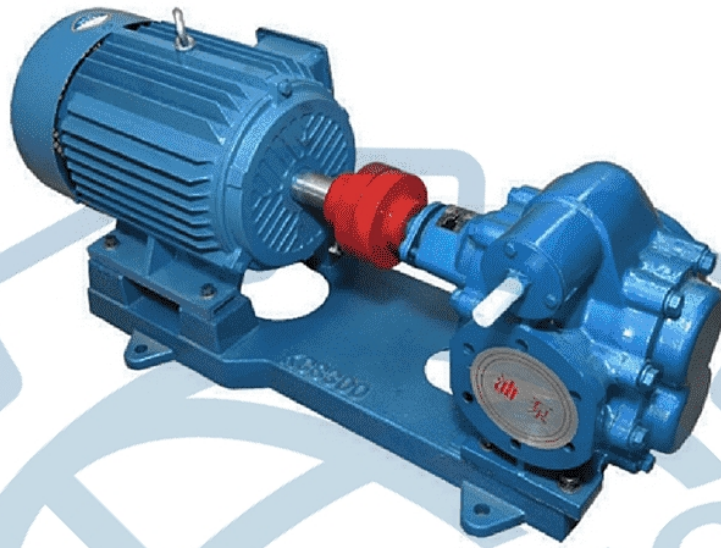




KCB Gear Pump



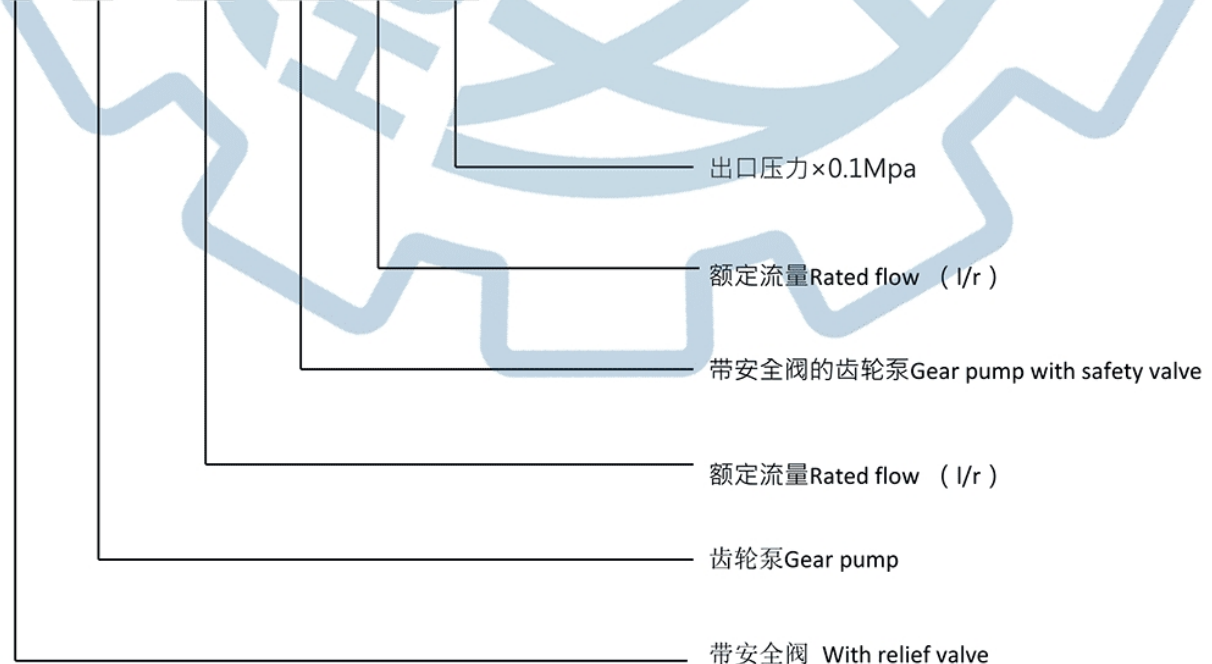
描述Introduction

KCB型齿轮输油泵适用于输送各种油类,如原油、柴油、润滑油。配用铜齿轮可输送低闪点液体,如汽油、苯等。介质温度不超过70°C,如需使用耐高温泵,可同本单位联系配用耐高温材料即可。耐高温泵的使用温度不超过300°C,粘度为 $5 \times 10^{-5} \sim 1.5 \times 10^{-3} \text{m}^2/\text{s}$ 。广泛用于石油,化工,造船,电力,粮油,食品,医疗,建材,冶金等行业。

KCB gear oil pump is suitable for conveying all kinds of oil, such as crude oil, diesel oil, lubricating oil. Copper gear can transport low flash point liquid, such as gasoline, benzene, etc. Medium temperature does not exceed 70°C, if you need to use high temperature resistant pump, you can contact the unit with high temperature resistant materials. The use temperature of high temperature pump is not more than 300°C, and the viscosity is $5 \times 10^{-5} \sim 1.5 \times 10^{-3} \text{m}^2/\text{s}$. Widely used in petroleum, chemical industry, shipbuilding, electric power, grain and oil, food, medical treatment, building materials, metallurgy and other industries.

型号代码Ordering Code

K CB - 200 2CY 12 /3.3



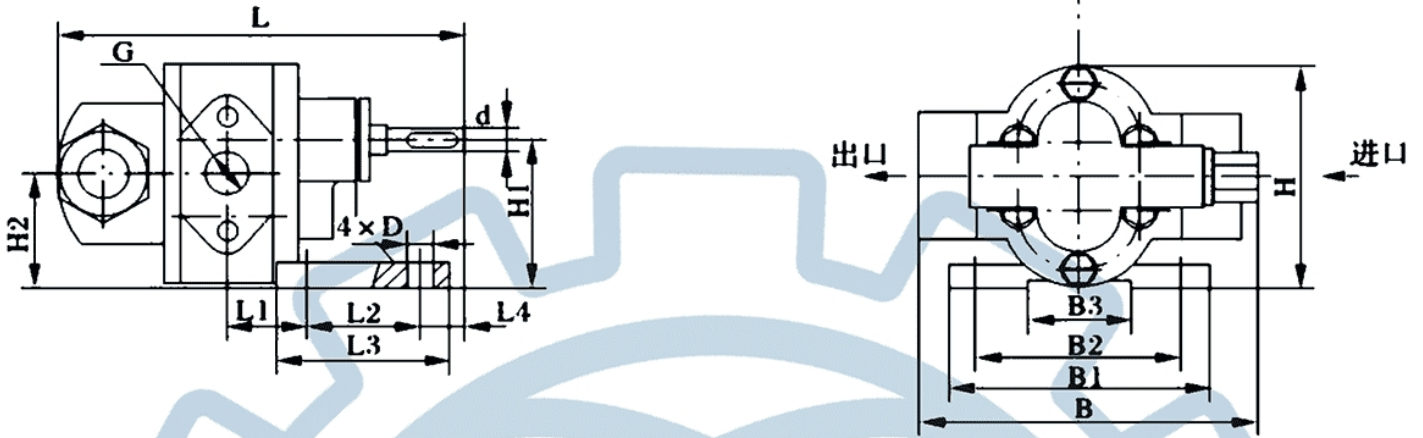


Pump serie & specification

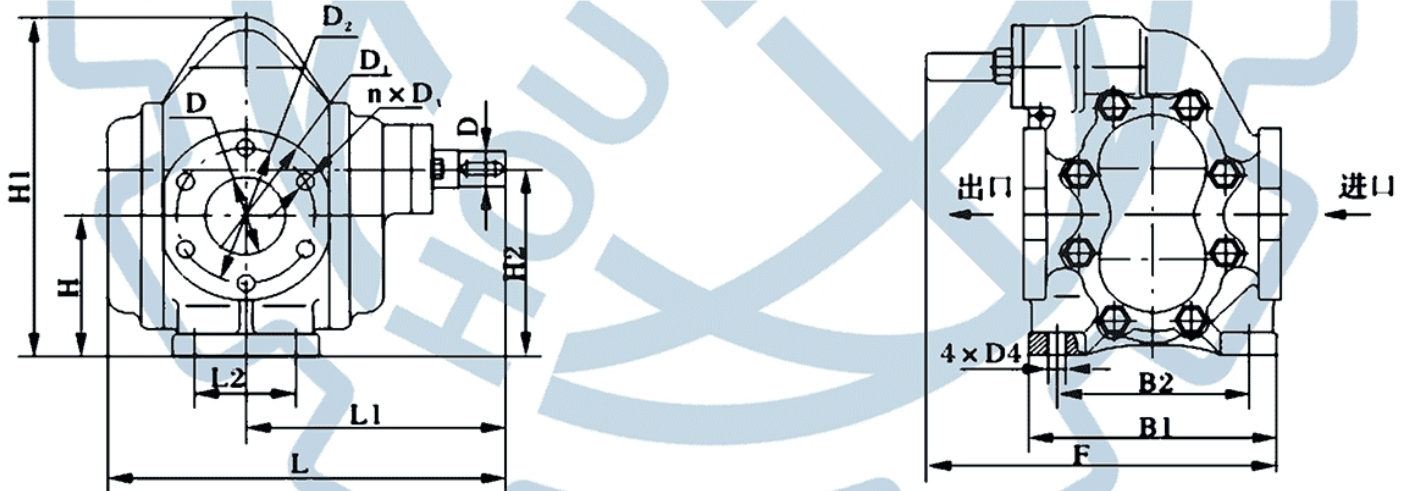
型号Model	进出口尺寸 In-outlet caliber inch	容量Capacity		转速 Speed r/min	排气压力 Exhaust Pressure Mpa	汽蚀余量 NPSH)r m	效率 Efficiency η %	发动机Motor	
		m ³ /h	l/min					功率Power Kw	型号 Model
KCB-18.3	3/4"	1.1	18.3	1400	1.45	5	44	1.5	Y90L-4
KCB-33.3		2	33.3	1420				2.2	Y100L1-4
KCB-55	1"	3.3	55	1400	0.33	7	41	1.5	Y90L-4
KCB-83.3	1 1/2"	5	83.3	1420				2.2	Y100L1-4
KCB-133	2"	8	133	940	0.36	5	46	2.2	Y112M-6
KCB-200		12	200	1440				4	Y112M-4
KCB-300	3"	18	300	960	0.28	6	42	5.5	Y132M2-6
KCB-483.3		29	483.3	1440				11	Y160M-4
KCB-633	4"	38	633	970	0.6	7	43	11	Y160L-6
KCB-960		58	960	1470				18.5	Y180M-4
KCB-1200	6"	72	1200	740	7.5	7	43	37	Y280S-8
KCB-1600		95	1600	980				45	Y280S-6
KCB-1800	8"	112	1800	740	8	7.5	44	55	Y315S-8
KCB-2500		150	2500	985				75	Y315S-6
KCB-2850	10"	170	2850	740	0.6	8	44	90	Y315L1-8
KCB-3800		230	3800	989				110	Y315L1-6
KCB-4100	14"	245	4100	743	8	8	44	132	Y355M1-8
KCB-5400		325	5400	989				160	Y355M1-6
KCB-5600	14"	330	5600	744	8	8	44	160	Y355M2-8
KCB-7000		420	7000	744				185	Y355L1-8
KCB-7600		460	7600	989				200	Y355M3-6
KCB-9600		570	9600	989				250	Y355L2-6



外形尺寸Outline Dimension



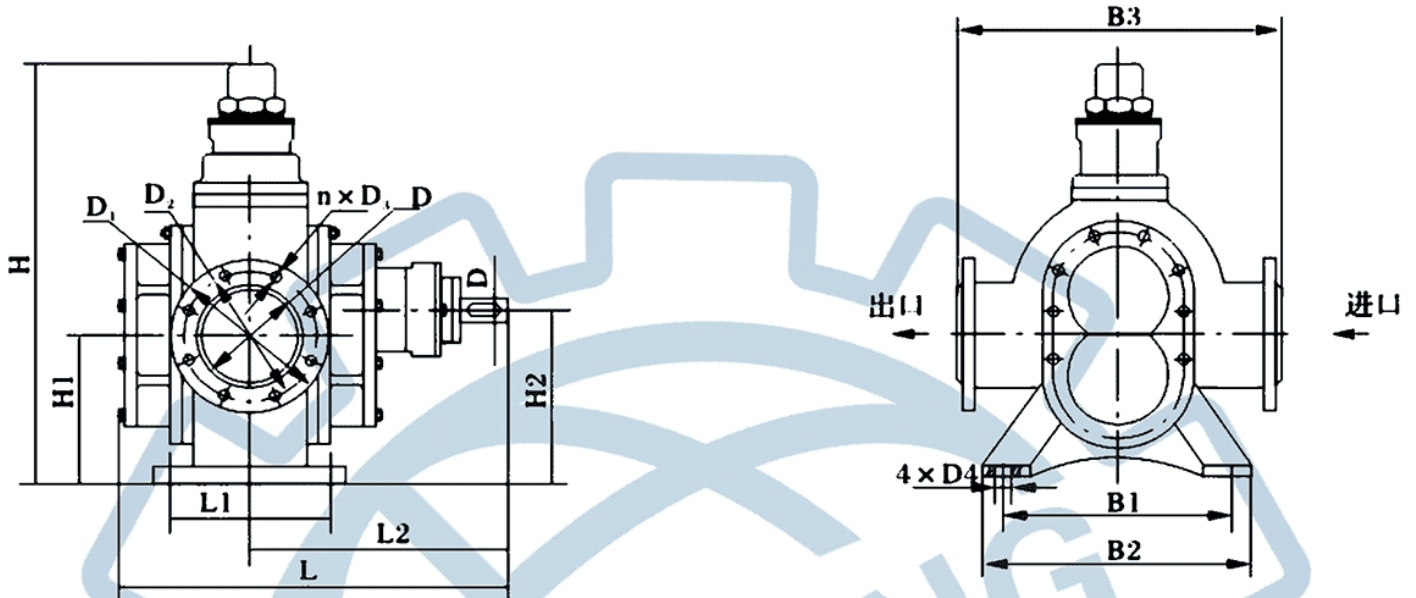
型号Model	L	L1	L2	L3	L4	B	B1	B2	B3	H	H1	H2	D	d	G
KCB-18.3	217.5	35	80	115	16	192	150	120	66	136	90	69	Φ16	Φ20	G3/4
KCB-33.3	231	42.5	80	115	16	192	150	120	66	136	90	69	Φ16	Φ20	G3/4
KCB-55	246	50	80	115	16	192	150	120	66	136	90	60	Φ16	Φ20	G1
KCB-83.3	271	62	80	115	16	192	150	120	66	136	90	69	Φ16	Φ20	G1/2



型号Model	L	L1	L2	B1	B2	H	H1	H2	F	D	D1	D2	n x D3	D4	d
KCB-200	290	200	66	214	160	263.5	118	152.5	300	Φ50	Φ140	Φ110	4xM12	Φ13	Φ28
KCB-300	354	230	90	228	180	308	128	170	318	Φ70	Φ155	Φ123	6x M14	Φ16	Φ32
KCB-483.3	354	230	90	228	180	308	128	170	318	Φ70	Φ155	Φ123	6 x M14	Φ16	Φ32
KCB-633	415	270	120	280	175	385	188	205	380	Φ100	Φ190	Φ158	8x M14	Φ18	Φ38
KCB-960	415	270	120	280	175	385	188	205	380	Φ100	Φ190	Φ158	8x M14	Φ18	Φ38



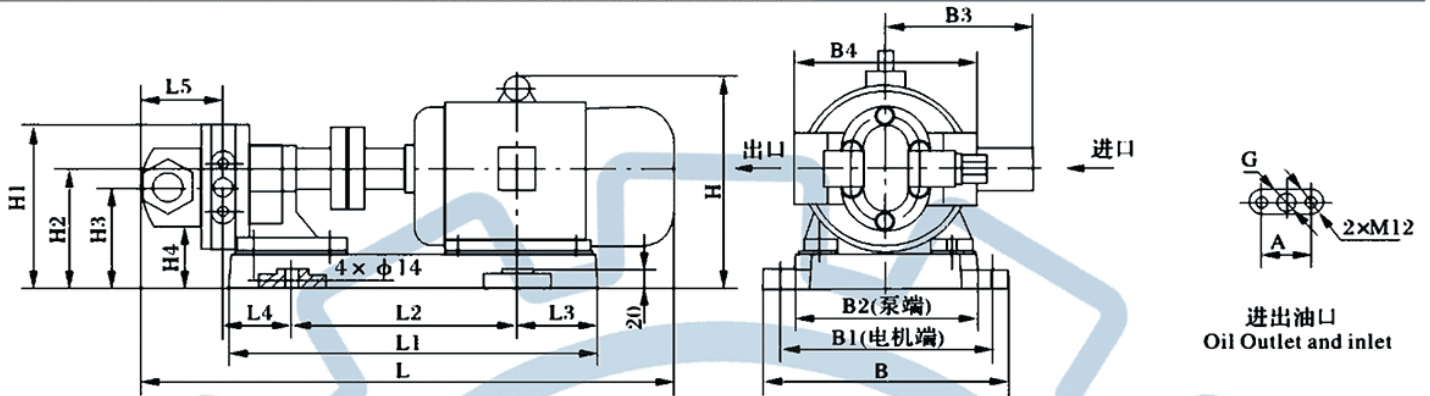
外形尺寸Outline Dimension



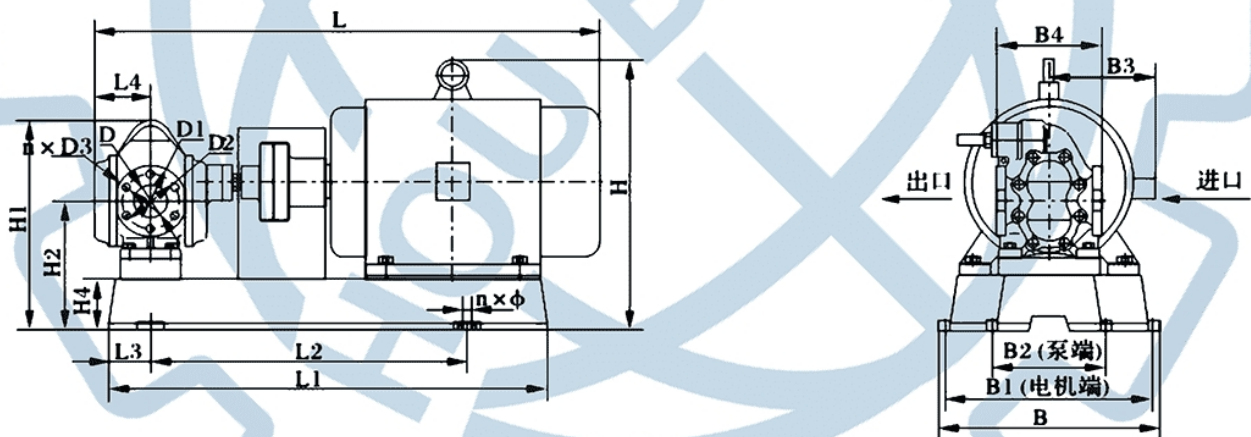
型号Model	L	L1	L2	B1	B2	B3	H	H1	H2	D	D1	D2	nxD3	D4	d
KCB-1200	715	3(0)	480	415	463	510	708	220	300	Φ150	Φ260	Φ225	8xΦ18	Φ25	Φ56
KCB-1600															
KCB-1800	830	340	547	460	585	684	876	262	350	Φ200	Φ320	Φ280	8xΦ18	Φ25	Φ76
KCB-2500															
KCB-2850	948	380	625	520	584	640	915	299	400	Φ250	Φ370	Φ335	12xΦ18	Φ25	Φ86
KCB-38(())															
KCB-4100															
KCB-5600	1085	345	700	500	600	740	1155	386	500	Φ350	Φ490	Φ445	12xΦ23	Φ32	Φ95
KCB-7000															
KCB-7600															
KCB-9600															



外形尺寸Outline Dimension



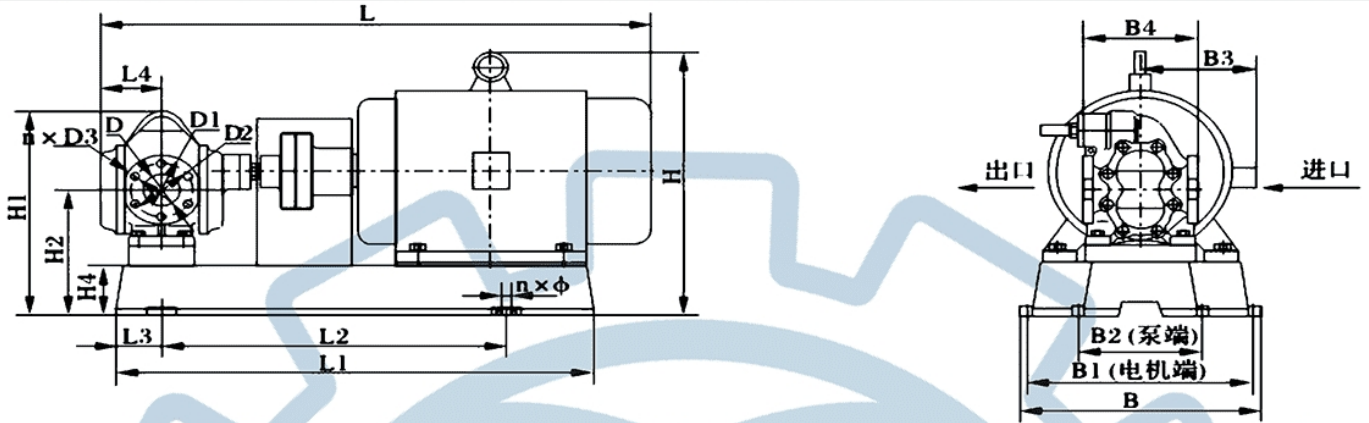
型号 Model	L	L1	L2	L3	L4	L5	H	H1	H2	H3	H4	B	B1	B2	B ₃	B4	A	G	重量 Weight(kg)
KCB-18.3	566	391	239	86	75	86	230	176	130	109	40	259	225	190	155	192	52	G3/4	62.15
KCB-33.3	618	416	256	94	82	93	285	186	140	119	50	279	245	190	180	192	52	G3/4	66.8
KCB-55	595	391	239	86	89.5	100.5	230	176	130	109	40	259	225	190	155	192	70	G1	64.15
KCB-83.3	652	416	256	94	102	113	285	186	140	119	50	279	245	190	180	192	78	G1-1/2	70.15



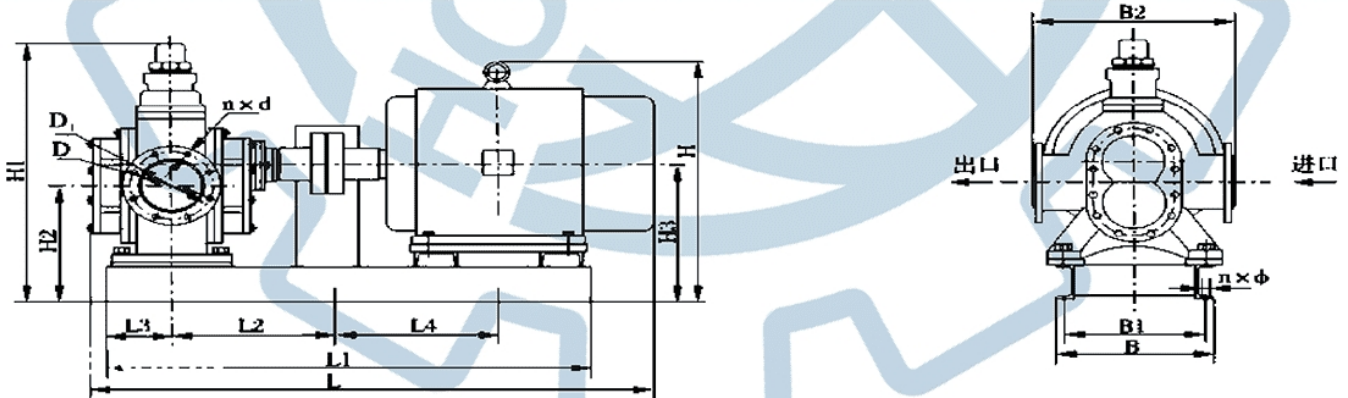
型号 Model	L	L1	L2	L3	L4	H	H1	H2	H4	B	B1	B2	B ₃	B4	D	D1	D2	nxD3	nxΦ	重量 Weight(kg)
KCB-200	709	577	419	58	90	355	314	168	50	326	290	240	190	214	Φ50	Φ110	Φ140	4xM12	4xΦ16	135
KCB-300	883	715	502	80	124	423	378	198	70	390	340	280	210	228	Φ70	Φ123	Φ155	6xM14	4xΦ22	173
KCB-483.3	972	795	565	80	124	465	378	198	70	450	400	290	255	228	Φ70	Φ123	Φ155	6xM14	4xΦ22	213
KCB-633	1074	901	629	100	145	500	455	258	70	450	400	285	255	280	Φ100	Φ158	Φ190	8xM14	4xΦ22	274.5
KCB-960	1099	900	635	100	145	525	455	258	70	470	420	285	285	280	Φ100	Φ158	Φ190	8xM14	4xΦ22	304.5



外形尺寸Outline Dimension



型号Model	L	L1	L2	L3	H	H1	H2	H3	B	B1	B2	B ₃	D	D1	nx D3	nx Φ
KCB- 1200/0.6	1771	1470	990	194	780	828	340	420	683	631	621	510	Φ150	Φ225	8xΦ18	4xΦ25
KCB- 1600/0.6																
KCB- 1800/0.6	2036	1704	1142	230	1020	996	382	470	772	720	720	684	Φ200	Φ280	8xΦ18	4xΦ25
KCB- 2500/0.6																
KCB- 2850/0.6	2294	1880	1250	270	1070	1035	419	520	810	750	750	640	Φ250	Φ335	12xΦ18	4xΦ30
KCB- 3800/0.6																
KCB- 4100/0.6	2524	2008	1340	270	1200	1035	419	520	1163	906	750	640	Φ250	Φ335	12xΦ18	4xΦ30
KCB- 5400/0.6																



型号Model	L	L1	L2	L3	L4	H	H1	H2	H3	B	B1	B2	D	D1	nx D3	nx Φ
KCB- 5600/0.6	2632	2090	723	245	723	1465	1440	671	785	760	690	740	Φ350	Φ445	12xΦ23	6xΦ32
KCB- 7000/0.6	2632	2090	723	245	723	1465	1440	671	785	760	690	740	Φ350	Φ445	12xΦ23	6xΦ32
KCB- 7600/0.6	2632	2090	723	245	723	1465	1440	671	785	760	690	740	Φ350	Φ445	12xΦ23	6xΦ32
KCB- 9600/0.6	2632	2090	723	245	723	1465	1440	671	785	760	690	740	Φ350	Φ445	12xΦ23	6xΦ32