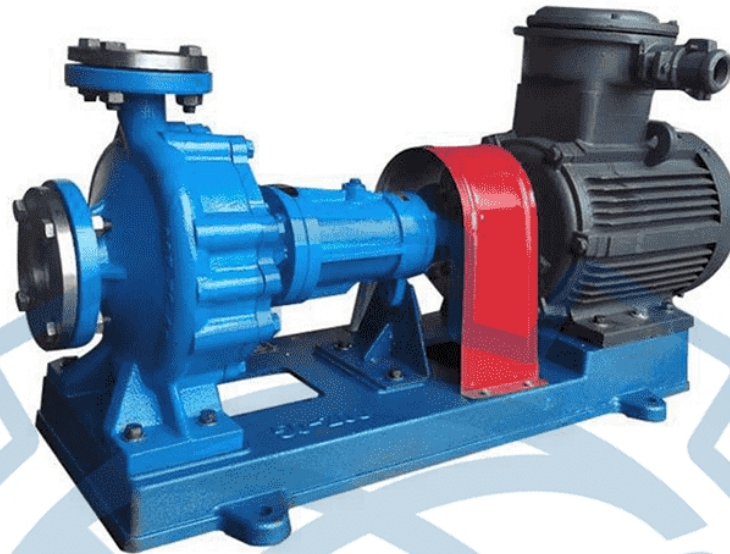




LQRY Series Heat conductive hot oil pump



描述Introduction

LQRY型系列导热油泵是一种理想的热载体介质循环泵。广泛用于石油、油脂、锅炉、建筑、养路、制药、塑料、橡胶、含成纤维纺织、印染等工业领域。使用温度 $\leq 370^{\circ}\text{C}$ 。

LQRY series heat conduction oil pump is an ideal heat carrier medium circulation pump. Widely used in petroleum, grease, boiler, construction, road maintenance, pharmaceutical, plastic, rubber, including fiber textile, printing and dyeing and other industrial fields, the use temperature is less than 370°C .

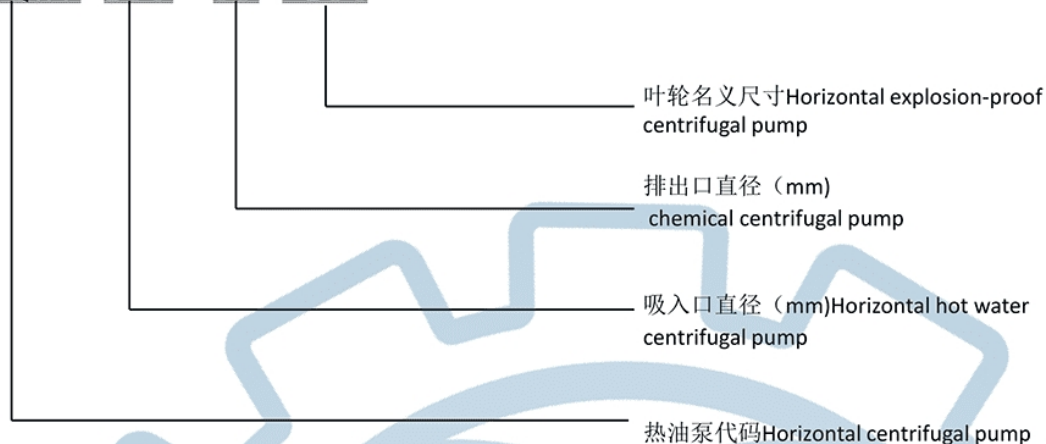
产品特点Technical Features

- ◆ LQRY系列热油泵基本结构形式为单级单吸悬臂式脚支撑结构，泵的进口为轴向吸入，出口为中心垂直向上，和电机同装于底座上。
- ◆ LQRY系列热油泵的支撑采用了双端球轴承支撑的结构形式，前端采用润滑油润滑，后端采用润滑脂润滑，中间有一导油管，用以随时观察密封情况和回收导热油。
- ◆ 采用自热散热结构，改变了传统的水冷却结构，使结构简单，体积小，节约运行费用，性能好，使用可靠。
- ◆ LQRY系列热油泵，(1)采用填料密封和机械密封相结合的形式，填料密封用耐高温的填料，具有良好的热态适应性，而机械密封则采用机械强度高，耐磨性好的硬质合金材料，保证了高温情况下的密封性能。(2)采用第三代聚四氟乙烯（简称PTFE）做唇形密封，使密封性能产生了飞跃，比橡胶类密封可靠性提高25倍，耐腐蚀性能极强。
- ◆ LQRY series hot oil pump is single stage single suction cantilever foot support structure. The inlet of the pump is axial suction, and the outlet is vertical upward at the center. It is mounted on the base with the motor.
- ◆ LQRY series hot oil pump support adopts the structure of double end ball bearing support. The front end is lubricated with lubricating oil, the back end is lubricated with grease, and there is a guide oil pipe in the middle to observe the sealing situation and recover heat conduction oil at any time.
- ◆ The use of self-heat dissipation structure, changed the traditional water cooling structure, so that the structure is simple, small volume, saving operation costs, good performance, reliable use.
- ◆ LQRY series hot oil pump, (1) the combination of packing seal and mechanical seal form, packing seal with high temperature resistant packing, with good hot state response, and mechanical seal with high mechanical strength, good wear resistance of hard alloy material, to ensure the sealing performance under high temperature. (2) the use of the third generation of polytetrafluoroethylene (PTFE) lip seal, the sealing performance has a leap, than rubber sealing reliability increased 25 times, strong corrosion resistance.

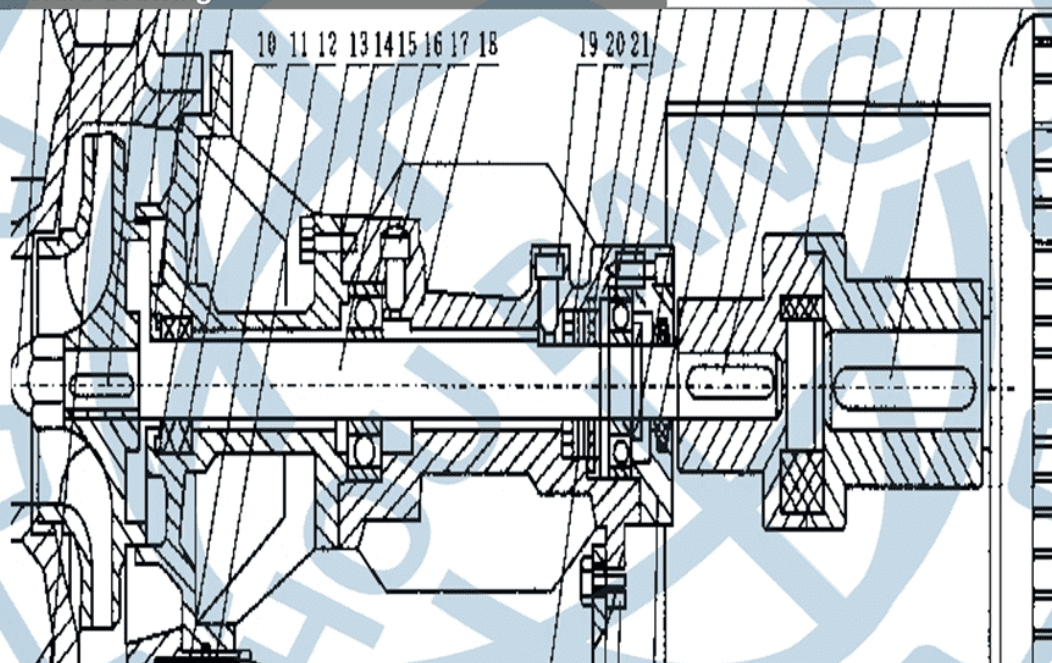


Ordering Code

LQRY 100 - 65 250



结构图 Structure Drawing



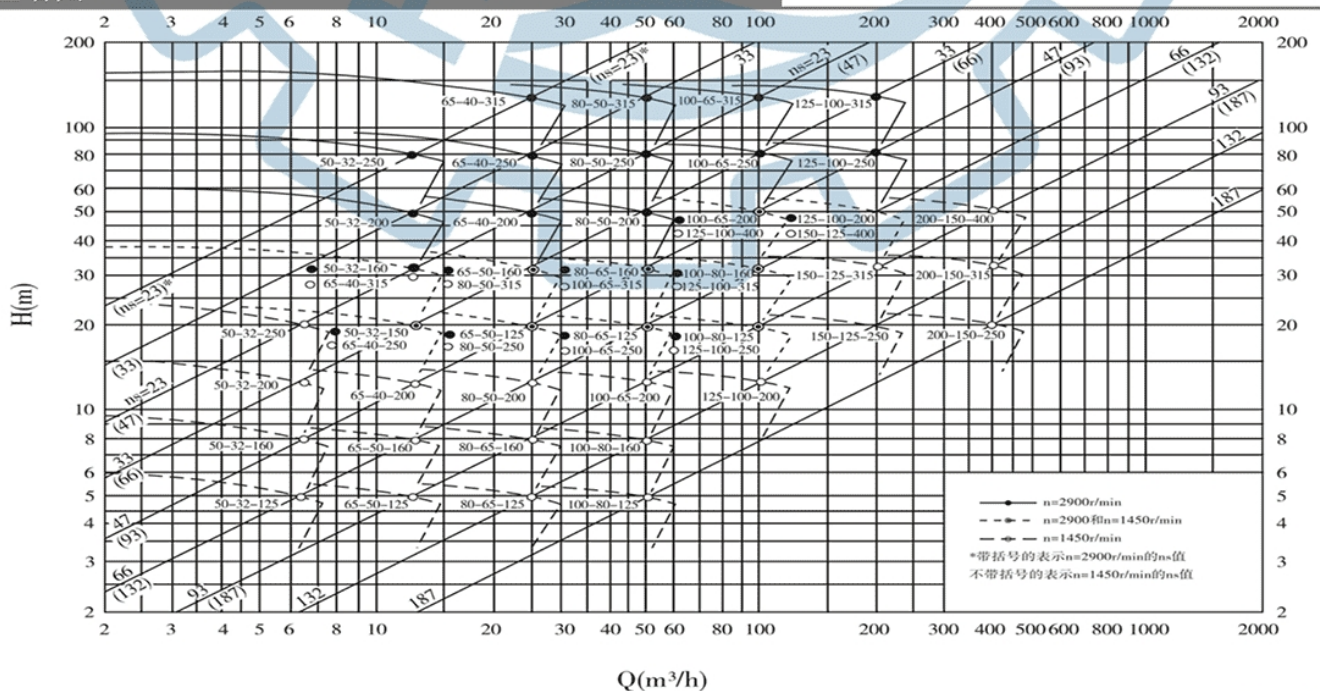
1	泵体pump casing	2	盖形螺母acorn nut	3	叶轮impeller	4	螺塞plug screw	5	平键straight key
6	泵盖 pump cover	7	孔用弹性档圈Holes lase spring shelves ring	8	铝垫片Aluminum gasket	9	压圈pressing ring	10	垫料stanffing
11	螺母 nut	12	垫片gasket	13	垫片gasket	14	螺栓	15	泵轴
16	球轴承	17	内六角螺栓	18	轴承座	19	内六角螺栓	20	橡胶密封
21	孔用弹性档圈	22	球轴承	23	内六角螺栓	24	轴用弹性档圈	25	羊毛毡
26	泵联轴器'器	27	平键straight key	28	弹性块	29	电机联轴器	30	罩壳
31	平键straight key	32	电机Motor	33	螺栓	34	双头螺栓	35	铝垫
36	双头螺栓	37	垫片gasket	38	螺母nut	39	底座	40	垫
41	螺栓	42	螺栓	43	轴承盖				



Technical Specification

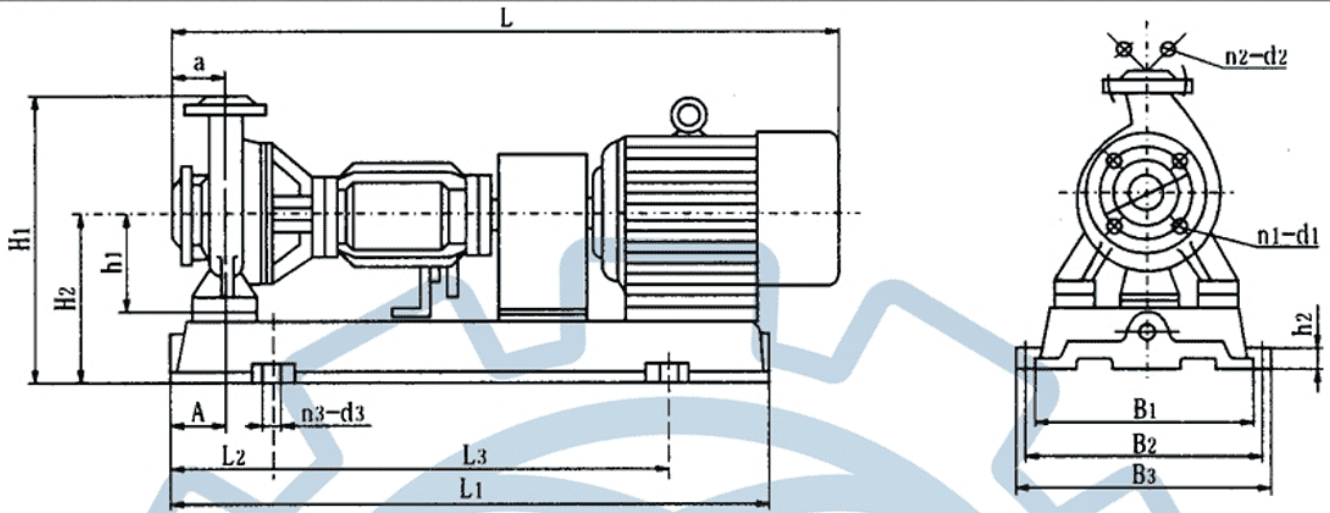
泵Model LQRY	流量 Flow(m³/h)	扬程 Head (m)	转速Speed r/min	功率Power (Kw)		效率 Efficiency η%	汽蚀余量 NPSH
				轴功率Power	配用功率Power		
26-20-100	4.5	15	2825	0.45	0.75	40	0.8
50-32-150	8	22	2840	1.0	1.5	42	1.6
50-32-160	10	25	2840	1.5	2.2	42	1.8
65-40-160	12.5	25	2880	2.5	3	45	2.2
50-50-170	12.5	32	2890	3.2	4	45	2.5
65-50-180	32	32	2900	4.5	5.5	52	2.7
65-50-170	40	25	2900	4.5	5.5	52	2.7
80-50-180	40	40	2900	6.7	7.5	63	3.1
80-50-170	60	20	2900	6.7	7.5	63	3.1
100-65-190	60	38	2930	9.2	11	68	3.9
100-65-200	80	40	2930	12.5	15	70	3.5
100-65-220	58	50	2930	12.5	15	68	3.5
100-65-230	100	55	2940	19.5	22	70	3.6
125-100-190	155	30	2940	20	22	72	3.6
100-65-240	100	70	2950	25.5	30	69.8	4.1
100-65-257	100	80	2950	32.5	37	67	3.6
125-100-220	160	45	2950	25.5	37	75.2	3.6
125-80-250	160	60	2970	35.5	45	74.2	5
125-100-250	200	60	2970	42.8	55	76.8	6
125-100-257	260	70	2970	64.3	75	77.1	6.8
125-100-260	300	70	2970	75.3	90	78.2	8
125-100-270	220	85	2970	68	90	76	6
150-125-260	340	76	2970	89.5	110	78.6	8.5

型谱图 Performance Chart





Technical Specification



油泵型号 LQRY	电机型号/功率	油泵外形及安装尺寸																	
		L	L1	L2	L3	B1	B2	B3	A	a	h1	h2	H1	H2	D1	D2	m/d1	n2/d2	n3/d3
26-20-100	Y801-2/0.75	700	630	108	415	200	230	270	75	80	95	25	290	180	85	75	4/14	4/14	4/14
50-32-150	Y90S-2/1.5	800	700	80	525	180	248	295	90	132	365	210	125	100	6-17.5	4-17.5	4-16		
50-32-160	Y90L-2/2.2																		
65-40-160	Y100L-2/3	1000	810	110	590	280	360	410	80	150	420	240	145	110	8-17.5	6-17.5	4-20		
50-50-170	Y112M-2/4																		
65-50-180	Y132S1-2/5.5	1100	900	660	300	380	440	160	100	152	442	247	125	8-17.5	6-17.5	4-20			
80-50-180	Y132S2-2/7.5																		
100-65-190	Y160M1-2/11	1200	1049	730	355	440	510	110	120	180	510	285	180	145	8-20	8-17.5	4-22		
100-65-220	Y160M1-2/15																		
100-65-200A	Y160M1-2/15	1300	1180	145	415	495	570	115	125	200	570	320	180	145	8-20	8-17.5	4-22		
100-65-230	Y180M-2/22																		
125-100-200	Y180M-2/22	1400	930	480	540	620	140	225	45	620	345	160	220	8-22	8-22	4-24			
100-65-240	Y200L1-2/30																		
100-65-257	Y200L2-2/37	1513	1245	152	550	600	690	144	230	50	725	438	190	8-22	8-22	4-24			
125-100-220	Y200L2-2/37																		
125-80-250	Y225M-2/45	1580	1400	230	540	620	695	150	230	50	725	438	220	190	8-22	8-22	4-24		
125-100-250	Y250M-2/55																		
125-100-257	Y280S-2/75	1628	1510	275	960	540	620	695	150	230	50	725	438	220	190	8-22	8-22	4-24	
125-100-260	Y280S1-2/90																		
125-100-270	Y280S1-2/90	1818	OCA	109	628	720	780	145	150	230	45	750	440	240	210	8-22	8-17.5	4-24	
150-125-270	Y315S-2/110																		
150-125-270	Y315M1-2/132	1888																	