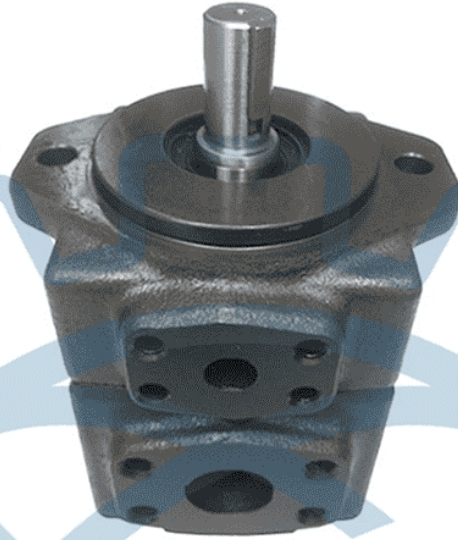




PV2R Series Vane Pump

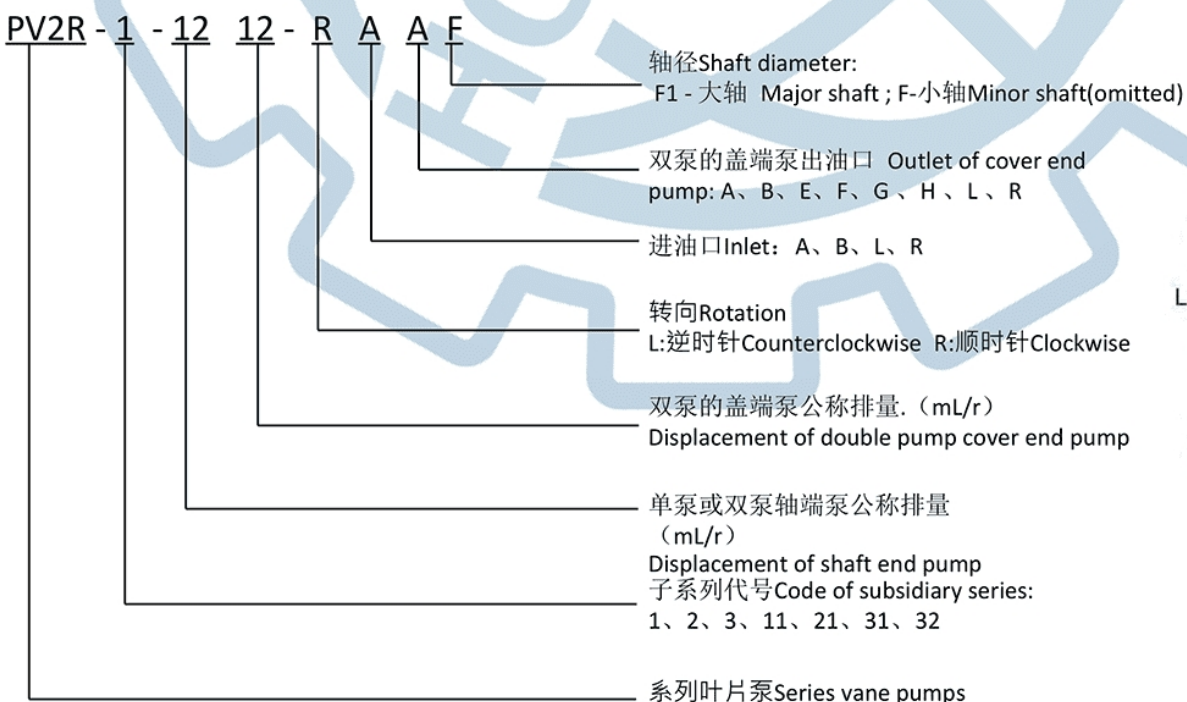


描述Introduction

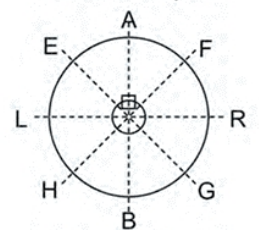
PV2R 系列高压低噪声叶片泵是我公司独立研制开发的国产化高性能产品，具有性能先进、结构合理、可靠性好、噪声低、脉动极小、质量稳定的特点。产品精工制造，特别适应高精度低噪声设备的要求，广泛应用于切削机械、塑料机械、皮革机械、锻压机械、工程机械等领域。

PV2R Series vane pumps with high pressure and lower noise are high-performance products, which are developed and domestically produced by our company, featured by advanced performance, reasonable structure, good creditability, lower noise, ultra-low pulse and stable quality and so on. Precisely made, the product can be used in the equipment with high precision and low noise, and is widely used in cutting, plastic, leather, forging and engineering machinery fields, and the like.

型号代码Ordering Code



油口方向示意
Direction of port



面对轴端
Faced with shaft end



技术参数 Specification

型号 Model	排量 Displacement mL/r	最高压力Max. pressure			转速Speed r/min		驱动功率Input power kW	重量Weight kg
		高压用 特定油 Special oil	抗磨 液压油 Antiwear oil	普通 液压油 Common oil	最低Min.	最高Max.		
PV2R1-4	4.3						2.1	8
PV2R1-6	6.1						3.2	
PV2R1-8	8.5						4.5	
PV2R1-10	10.4						5.4	
PV2R1-12	13						6.1	
PV2R1-14	14.2	21	17.5	16	750	1800 (1200)	6.9	
PV2R1-17	16.8						7.9	
PV2R1-19	19.4						9.6	
PV2R1-23	23.3						10.5	
PV2R1-25	24.4						12.5	
PV2R1-28	28.4						14.0	
PV2R1-31	29.5	16	16				15.5	16
PV2R2-17	17.7						7.8	
PV2R2-26	26.6						11.7	
PV2R2-33	32.8						15.5	
PV2R2-41	41.7	21	17.5			1800 (1200)	18.9	
PV2R2-47	47.9						23.2	
PV2R2-53	55.7			14	600		24	
PV2R2-59	58.2						24.9	
PV2R2-65	63.3						29.4	
PV2R2-70	70.3						31.6	
PV2R2-75	78.1	16	16			1200	35.7	
PV2R2-85	82.7						37.5	17
PV2R3-52	52.9						23.2	
PV2R3-60	64.3						29.4	
PV2R3-66	67.2	21	17.5			1800 (1200)	34.2	
PV2R3-76	76						37.7	
PV2R3-94	94.2			14	600		41.2	
PV2R3-116	115.8						50	
PV2R3-125	127	16	16			1200	55	
PV2R3-136	132.5						57	

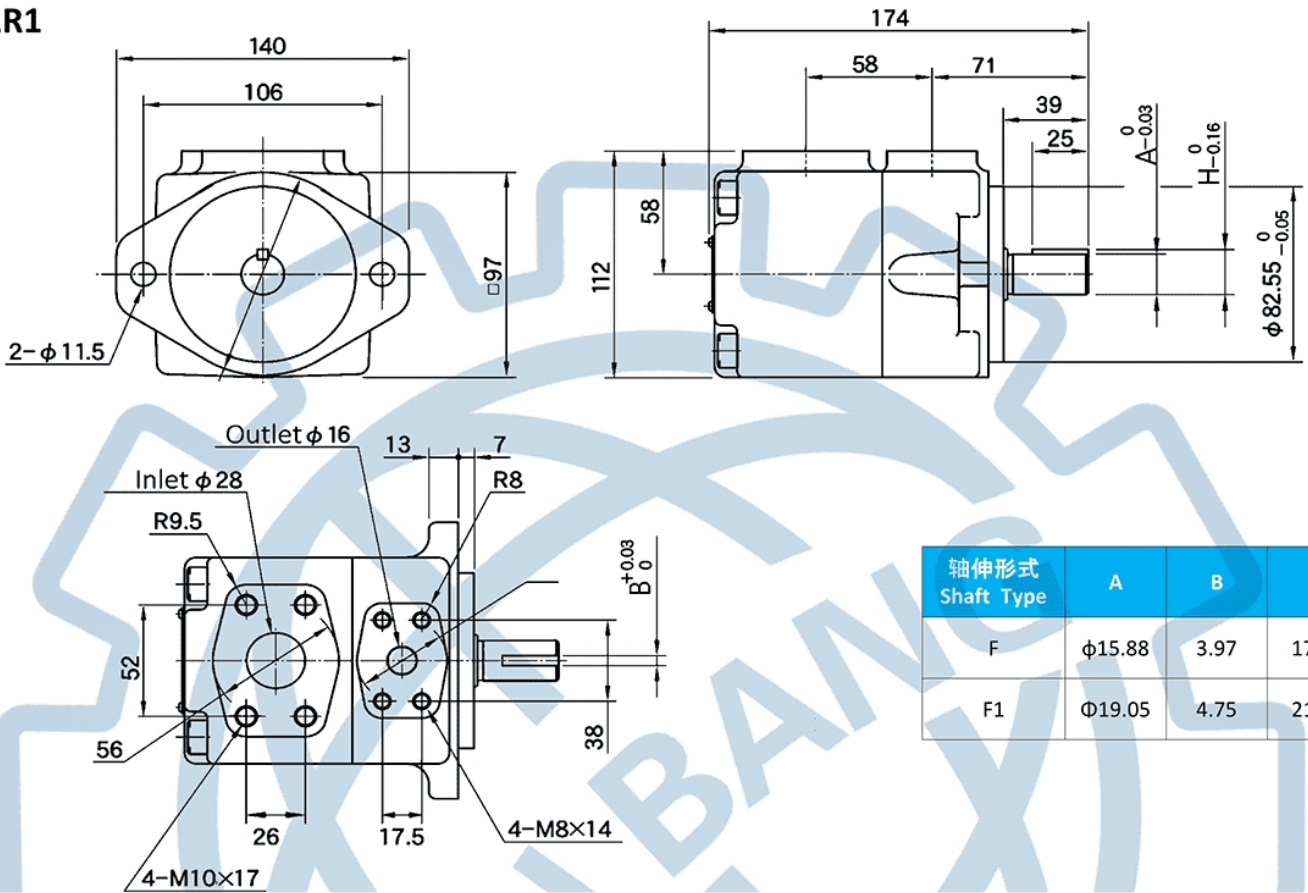
双联泵 Double Pump

型号Series	轴端泵排量Displacement of shaft end pump	盖端泵排量Displacement of cover end pump
PV2R11	4,6,8,10,12,14,17,19,23,25,28,31	4,6,8,10,12,14,17,19,23,25,28,31
PV2R21	17,26,33,41,47,53,59,65,70,75,85	4,6, 8,10,12,14,17,19,23,25,28,31
PV2R31	52,60,66,76,94,116,125,136	4,6, 8,10,12,14,17,19,23,25,28,31
PV2R32	52,60,66,76,94,116,125,136	17,26,33,41,47,53,59,65,70,75,85



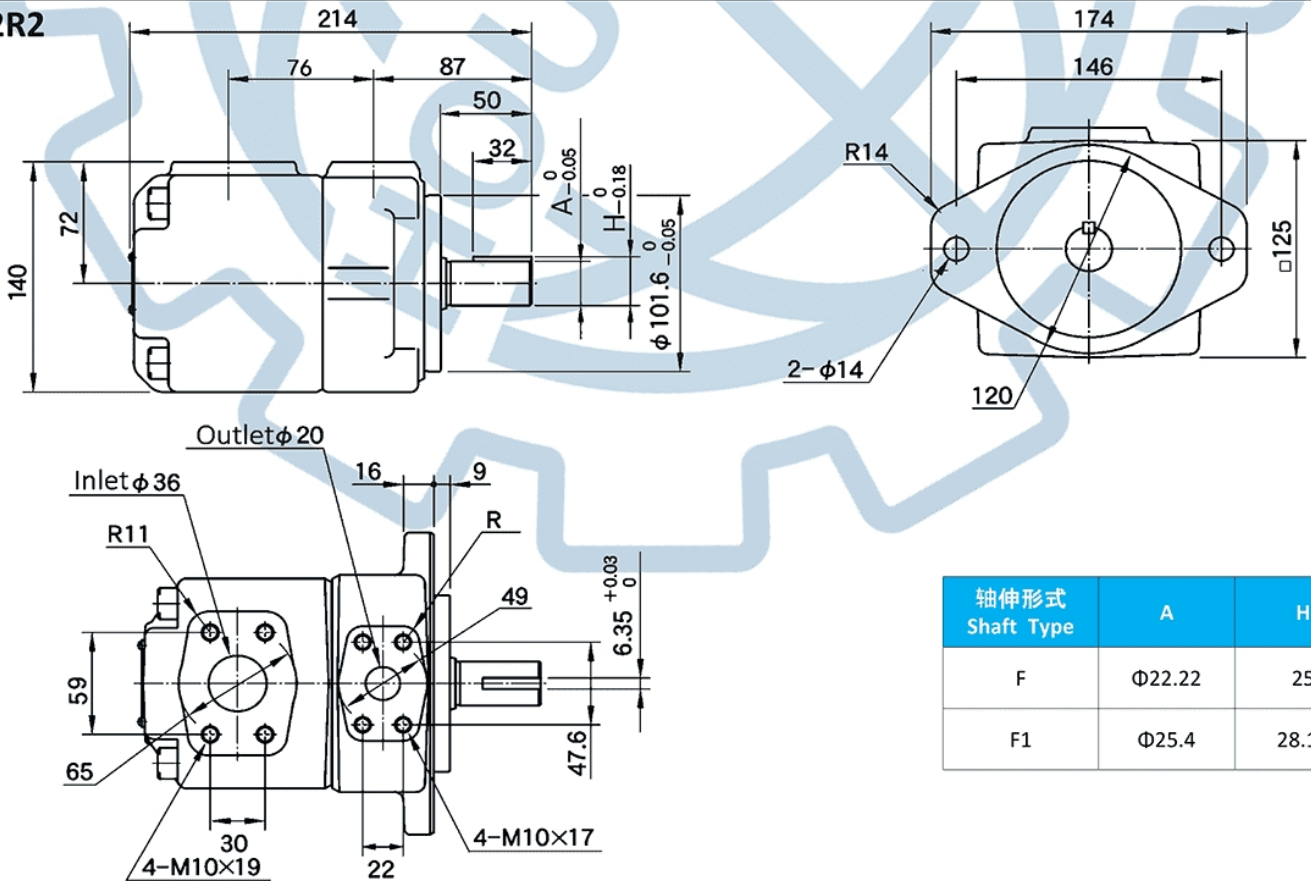
单泵外形安装尺寸 Single Pump Outline Dimension

PV2R1



轴伸形式 Shaft Type	A	B	H
F	$\phi 15.88$	3.97	17.68
F1	$\phi 19.05$	4.75	21.24

PV2R2

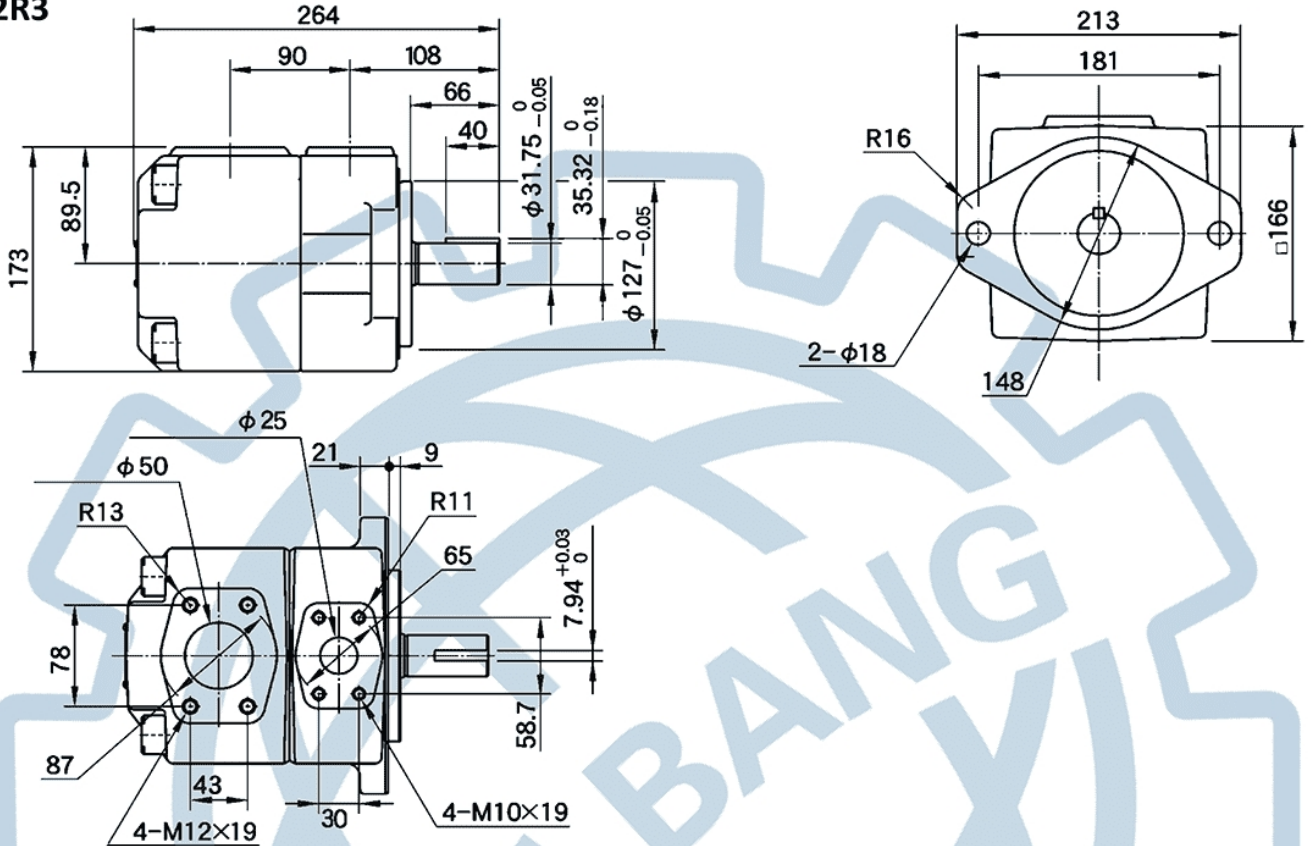


轴伸形式 Shaft Type	A	H
F	$\phi 22.22$	25
F1	$\phi 25.4$	28.18



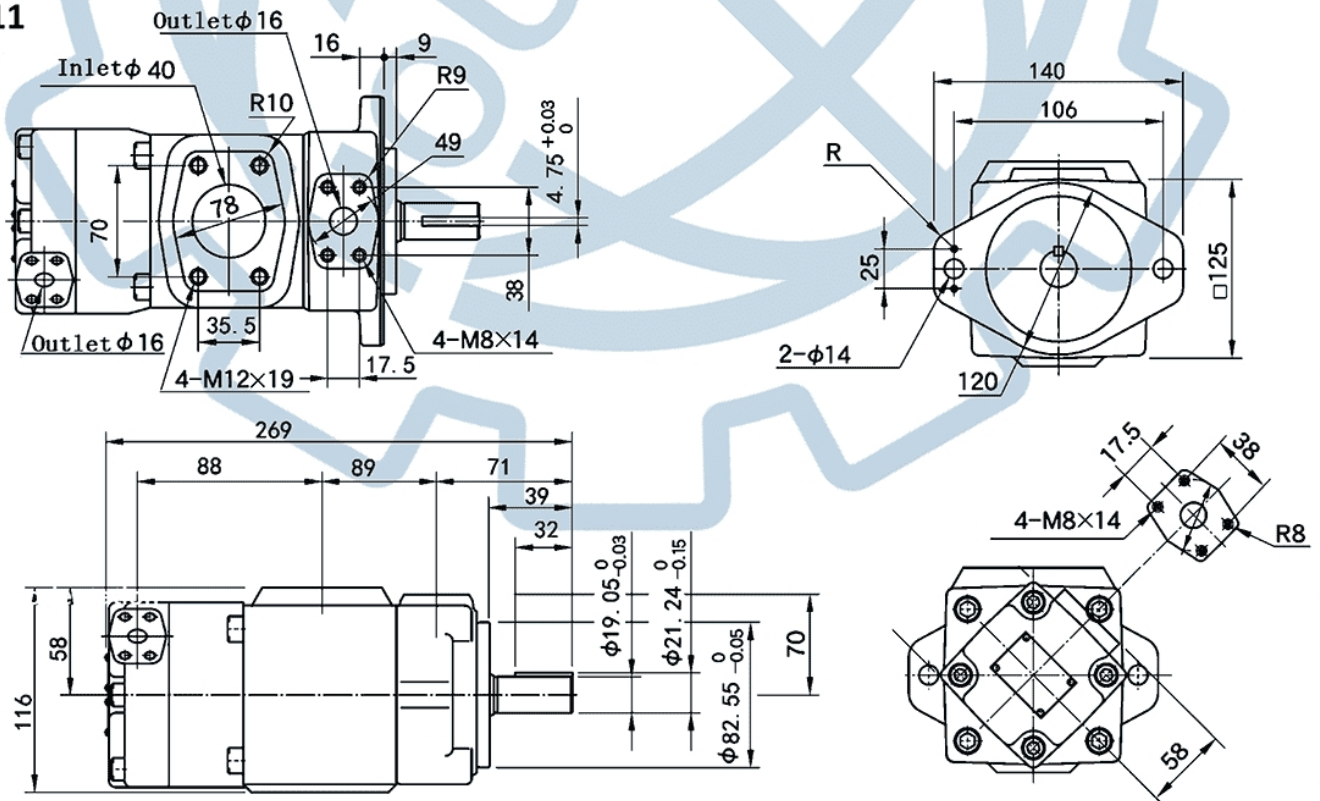
单泵外形安装尺寸 Single Pump Outline Dimension

PV2R3



双泵外形安装尺寸 Double Pump Outline Dimension

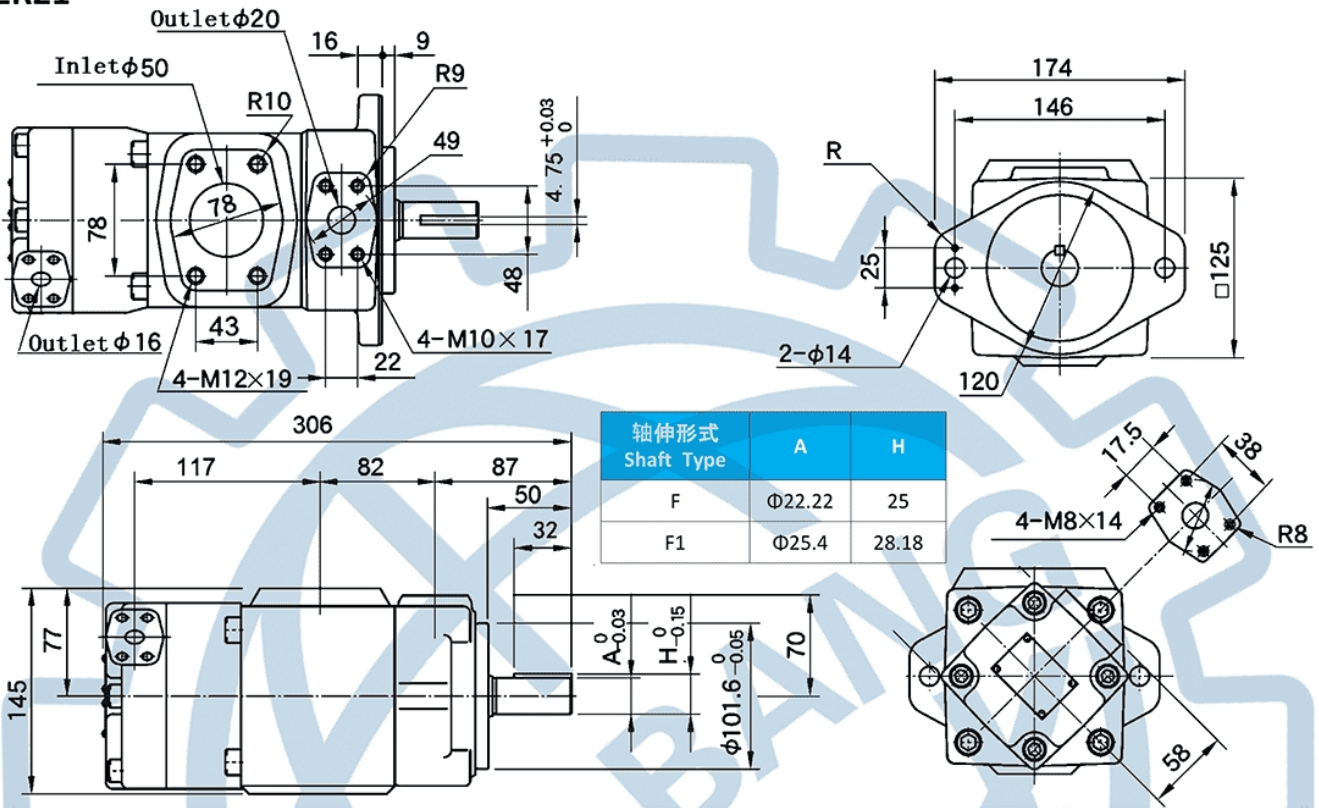
PV2R11



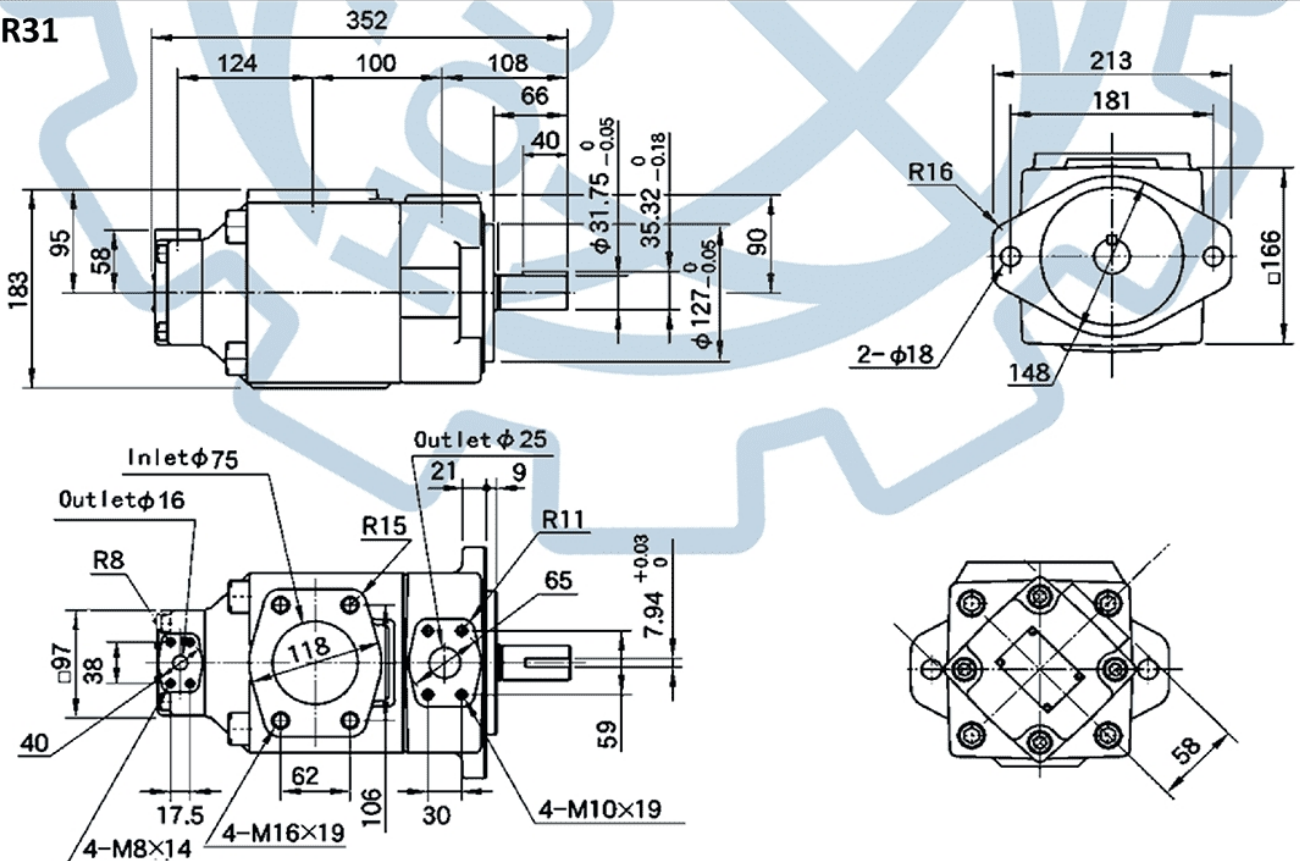


双泵外形安装尺寸 Double Pump Outline Dimension

PV2R21



PV2R31





双泵外形安装尺寸 Double Pump Outline Dimension

PV2R32

