



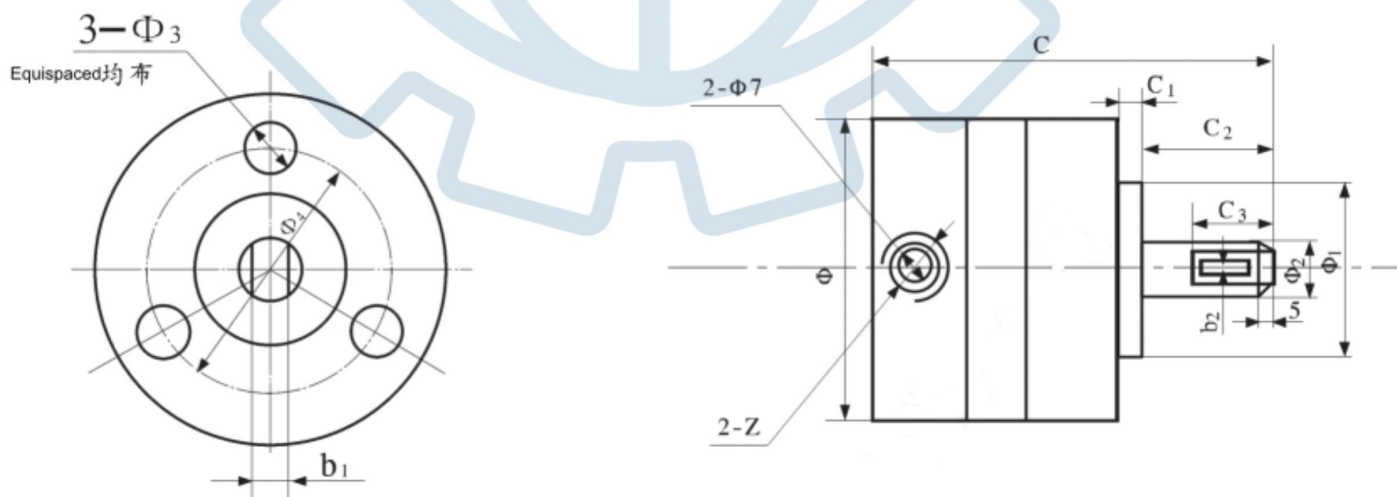
## SNBY Bidirectional Lubricating Oil Pump



### Introduction

SNBY bidirectional lubrication pump is self-development of a new oil pump, gear pump shaft which is characterized as a forward in, reverse rotation, and out of the oil port will not change, the gear pump can supply the same amount in the same direction oil, its small size, light weight, low noise, long life. For gear, machine tools, textile machinery and other equipment, and general Machinery for the forward and reverse rotation of the occasion as a lubrication pump.

### Dimension



Model	C	C1	C2	C3	Φ	Φ1(f8)	Φ2(h7)	b1	b2	Φ3	Φ4.6	Z
SNBY0.8/1.6	72	20	20	10	Φ65	Φ36	Φ8	5	/	Φ7	Φ53	ZG1/4"
SNBY2.5/1.6	80	16	19	12	Φ73	Φ36	Φ8	5	/	Φ7	Φ55	M14×1.5
SNBY2.5/1.6	80	16	19	/	Φ73	Φ36	Φ12	/	4	Φ7	Φ55	M14×1.5
SNBY5/1.6	93	5	25	12	Φ90	Φ35	Φ12	/	4	Φ9	Φ72	Z3/8"
SNBY16/1.6	105	5	25	12	Φ120	Φ35	Φ16	/	5	Φ9	Φ100	Z3/4"
SNBY25/1.6	121	5	30	21	Φ120	Φ50	Φ16	/	5	Φ9	Φ100	Z3/4"

## Technical Specification

Model	Output Volume	Speed	Pressure	Suction Height
	ml/r	r/min	MPa	m
SNBY0.8/1.6	0.8	1500	1.6	1
SNBY2.5/1.6	2.5			1.2
SNBY5/1.6	5			1.2
SNBY16/1.6	16			1.2
SNBY25/1.6	25			1.2