



SXF Bidirectional Lubricating Oil Pump

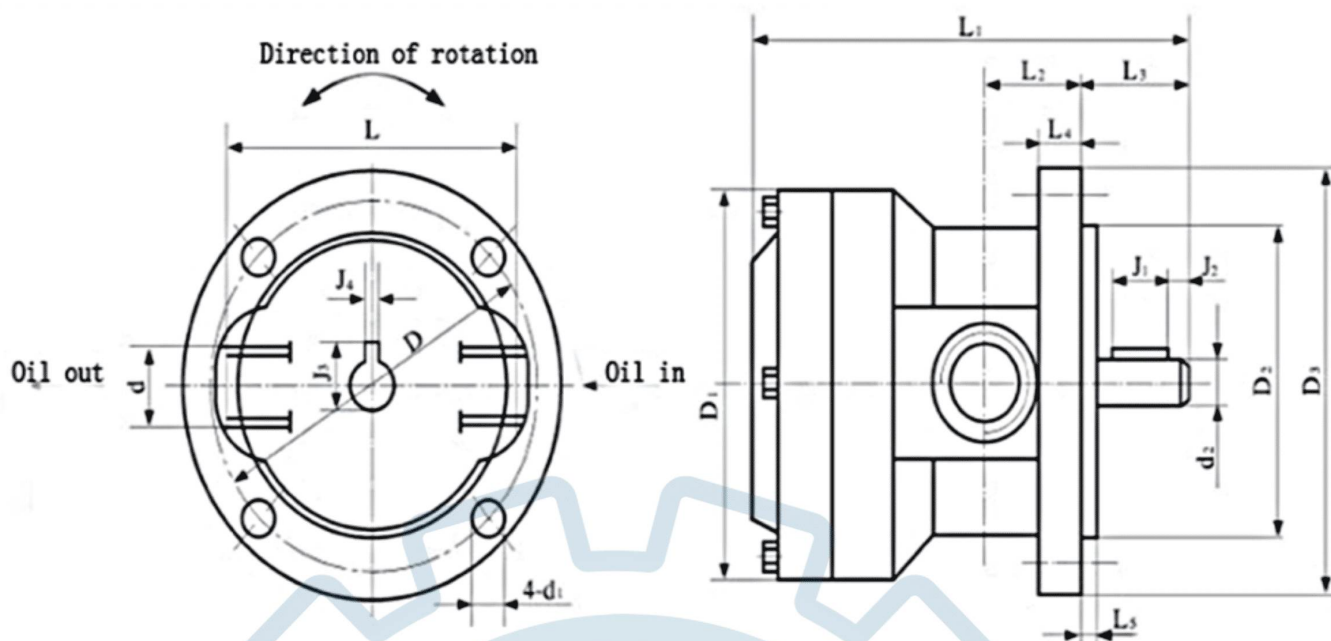


Introduction

SXF series of bi-directional oil pump, its main feature is the small size, can be attached to the machinery with which specializes in providing integrated without power, wide speed range of applications, gear pumps can be used within 100-150 rpm, the drive shaft when reversing, the inlet and outlet ports unchanged. For a long time and then stop using the operation, the suction can automatically start because it has a self-lubricating, wear automatic compensation function, So no routine maintenance and long service life. Widely used in various metallurgical machinery, petrochemical machinery, mining machinery, transmission machinery, reducer, eccentric force applied to the drive, the axial drive mechanical equipment lubrication.



Dimension



Model	Flow L/min	D	D1	d	d1	d2j6	D2j6	D3	L	L1	L2	L3	L4	L5	J1	J2	J3	J4
SXF15	1.5	95	123	Z1/2"	10.5	12	80	110	86	119	29	33	11	3	25	2	13.5	4
SXF25	5-50	120	130	Z1"	11.5	16	100	140	108	171	55	38	12	3	25	4	17.5	4
SXF32	9-90	140	120	Z1 1/4"	11.5	20	120	160	109	209	97	38	12	3	25	4	22.5	4